



RAIMONDI

Through Conduit Slab Type Bolted Bonnet Valves Basic Configuration – Flanged or Welded Ends

Contents		
1	Valve Storage	1
1.1	Preparation and Preservation for Shipment	1
1.2	Handling Requirements	1
1.3	Storage and Preservation before Installation	2
2	Installation	2
2.1	Preparation before Installation	2
2.2	Installation Instructions	3
2.3	Valve Verification before Start Up	3
2.4	Operations Instructions	3
	Table I: Bolt Torque Figures for Body-Bonnet Flange Connection	4
2.5	Periodic Valve Verification during Service	4
	Troubleshooting Guide	4
3	Maintenance	5
3.1	Packing Maintenance	5
3.2	Body-Bonnet Flange Gasket Maintenance	5
4	Valve Removal	6
5	Greases and Special Tools	6
5.1	Greases	6
	Table II: Grease and Lubricant List	6
5.2	Special Tools	6

Section 1 - Valve Storage

1.1 Preparation and Preservation for Shipment

All valves are properly packed in order to protect the parts that are subject to deterioration during transportation and storage on site. In particular, the following precautions should be taken:

1. The valves must be packed with the slab in the closed position.
 - 1a. Flanged sealing valves: The flange sealing surfaces (raised faces) of the valves shall be protected with suitable protective grease. The end faces of the valve must be protected with plastic or wooden discs fixed with straps.
 - 1b. Butt-weld end valves: The weld ends surface shall be protected with suitable protective like Deoxaluminite. The end shall be closed with plywood or plastic disc fixed at the edge by straps.
2. All actuated valves must be carefully and securely palleted or crated, in order to ensure that the parts of actuator (especially pneumatic piping or accessories) do not extend beyond the skid/ crate.
3. The type of packing must be defined in the Customer's Order and shall be appropriate to ensure safe transportation to final destination and eventual conservation before installation.

1.2 Handling Requirements

A - Packed Valves

Crates: Lifting and handling of the packed valves in crates will be carried out by a fork lift truck, by means of the appropriate fork hitches.

Cases: The lifting of packed valves in cases should be carried out in the lifting points and at the center of gravity position which have been marked. The transportation of all packed material must be carried out safely and following the local safety regulations.

B - Unpacked Valves

1. The lifting and the handling of these valves has to be carried out by using appropriate means and by respecting the carrying limits. The handling must be carried out on pallets, protecting the machined surfaces to avoid any damage.
2. With valves of large dimensions, the sling and the hooking of the load must be carried out by using the appropriate tools (brackets, hook, fasteners, ropes) and load balancing tools in order to prevent them from falling or moving during the lifting and handling.

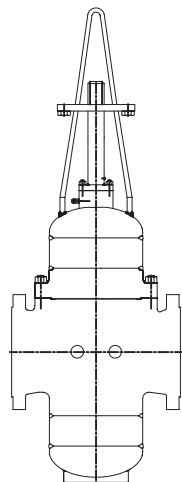


Figure no. 1
Valve slinging

1.3 Storage and Preservation before Installation

In case the valves have to be stored before installation, the storage has to be carried out in a controlled way, and has to be performed in accordance with the following criteria:

1. The valves have to be stocked in a closed, clean and dry storage room.
2. The slab must be in the closed position, and the end faces must be protected with plastic or wooden discs fixed with straps. If possible, keep the original protection.
3. Periodical checks have to be carried out in the storage area to verify that the above mentioned conditions are maintained.

For actuated valves, in addition to the above, please refer to the warnings in the manual of the actuator.



Note

Storage in an open area for a limited period can be considered only in case the valves have appropriate packing (packed in cases lined with tarred paper, and contents well protected with barrier sacks).

Do not place consignment packages directly on the ground.

Do not expose consignment packages to the weather or directly to the sun.

Check the packaging every two months.



Warning

For valve handling and/or lifting, the lifting equipment (fasteners, hooks, etc.) must be sized and selected while taking into account the valve weight indicated in the packing list and/or delivery note. Lifting and handling must be made only by qualified personnel.

Caution must be taken during the handling to avoid that this equipment passes over the workers or over any other place where a possible fall could cause damage. In any case, the local safety regulations must be respected.

Caution

For valve handling and/or lifting, the lifting equipment (fasteners, hooks, etc.) must be sized and selected while taking into account the valve weight indicated in the packing list and/or delivery note. Lifting and handling must be made only by qualified personnel.

Do not use the lifting points located on the actuator, if any, to lift the valve. These lifting points are for the actuator only.

Caution must be taken during the handling to avoid that this equipment passes over the workers or over any other place where a possible fall could cause damage. In any case, the local safety regulations must be respected.

Section 2 - Installation

2.1 Preparation Before Installation

1. Carefully remove the valve from the shipping package (box or pallet) avoiding any damage to the valve or, in case of automated valves, to the electric or pneumatic/hydraulic actuator or instrumentation.
2. The valves are shipped with the ends protected with caps and a thin layer of protective grease. Before installing the valve, remove the caps and clean carefully, then degrease both surfaces with a solvent. Clean the inside of the valve by using an air line. Ensure that there are no solid objects such as pieces of wood, plastic or packing materials within the valve or on the valve seat.
3. Confirm that the materials of construction listed on the valve nameplates (service and temperature) are appropriate for the service intended and are as specified.
4. Define the preferred mounting orientation with respect to the system pressure. If any (see arrow on the body), identify the upstream side (high pressure) and downstream side (low pressure).



Warning

Verify that the direction of the flow in the line corresponds to the arrow indicated on the valve body. Valves without the arrow are bi-directional.

See the actuator user manual for the actuator preparation.

2.2 Installation Instructions

Through conduit valves are normally installed in horizontal pipe with vertical stem.

For a correct operation, Raimondi recommends that the valve shall be installed and oriented following the indications of fig. 2. Different positions from those indicated may cause a non-correct valve operation, and/or a quick deterioration of the valve.

Unless otherwise recommended by Raimondi, the valve should be installed with the slab in the closed position, to ensure that the seat ring in the slab is not damaged during installation. Particular care should be taken with those valves equipped with 'fail-open' actuators.

Handling and lifting of the valves during installation MUST be performed following the same criteria and instructions described in previous points "1.2 Handling Requirements" and "1.3 Storage and Preservation before Installation".

Buttweld Valves

Position the valve and check the alignment with the pipe, then proceed with welding, in accordance with the applicable welding procedure.

Flanged Valves

Place the valve between the two flanges of the pipe and put the seal gasket between the valve flange and the pipe flange; make sure that it is correctly positioned. Then assemble the valve to the pipe by the bolts which will be tightened crossing. Progressively reach the requested torque value indicated by the Engineering Company that designed the plant.

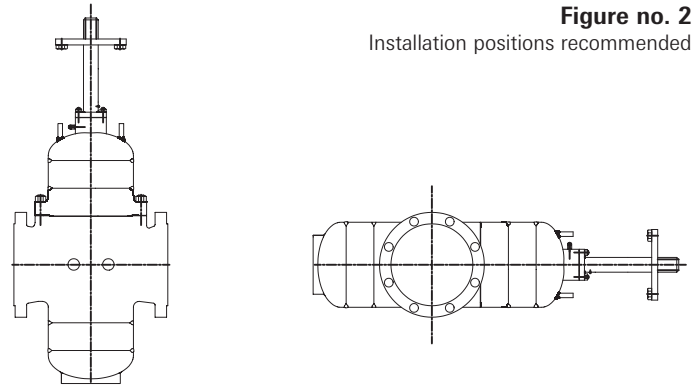


Figure no. 2
Installation positions recommended



Important

After the valves installation and before the line testing, it is recommended to perform an accurate cleaning of the lines to eliminate dirt and any foreign objects that could seriously jeopardize the tightness between seat/disc and the correct operation of the valve.

After the valve installation on the line and before the line pressurization, the following activities must be performed:

- all the threads plugs tightening shall be verified
- the torque of the body-bonnet bolts shall be verified
- the valve has to be fully stroke operated

See table I (Bolt Torque Figures for Body-Bonnet Flanged Connections).

If any, see the actuator instruction manual for the related commissioning start-up procedure.

2.3 Valve Verification before Start Up

1. Check the operation of the valve by stroking it to "full open" and "full close".



Important

If piping system is pressurized with water for testing, and in case the piping system has been shut down after testing for a long time, the following recommendations should be adopted.

- a. Use corrosion inhibitor with water to pressurize the piping system
- b. After testing, the piping system should be depressurized and the test water completely drained.

2.4 Operations Instructions

The following instructions will help provide a satisfactory and long life service of the through conduit bolted bonnet valves:

1. Make sure to perform periodic valve verification as described in paragraph 2.5.
2. In case of actuated valves always follow the specific instructions given by the actuator's manufacturer.
3. Never change the setting of torque and/or limit switches which have been carefully set during the final test at Raimondi workshop.

Through Conduit Slab Type Bolted Bonnet Valves

Installation and Maintenance Instructions

Table I: Bolt Torque Figures for Body-Bonnet Flanged Connections

(Corresponding to approx. 40% of yield strength on dry steel surfaces)

Materials: A193 B7 / A193 B16 / A320 L7 Material: A193 B8

Nominal Bolt Diameter (In.)	Torque Kgm	Torque Ftlb	Torque Nm	Torque Kgm	Torque Ftlb	Torque Nm
1/2	9	66	90	3	19	26
5/8	18	129	175	5	37	50
3/4	31	224	305	9	64	87
7/8	50	358	487	14	102	139
1	74	533	725	21	152	207
1 - 1/8	107	772	1050	31	221	300
1 - 1/4	149	1075	1462	43	307	418
1 - 3/8	201	1447	1968	57	413	562
1 - 1/2	263	1896	2579	75	542	737
1 - 5/8	339	2445	3325	97	699	950
1 - 3/4	426	3072	4178	122	878	1194
1 - 7/8	527	3798	5165	150	1085	1476
2	642	4630	6297	183	1323	1799
2 - 1/4	921	6640	9030	263	1897	2580
2 - 1/2	1271	9162	12460	363	2618	3560
2 - 3/4	1537	11085	15076	439	3167	4307
3	2003	14447	19648	572	4128	5614
3 - 1/4	2556	18428	25062	730	5265	7161
3 - 1/2	3201	23079	31387	914	6594	8968

2.5 Periodic Valve Verification During Service

A - Normal Check

- Verify monthly that there is no leakage from the body/bonnet area.
If the leakage has been detected from the body/bonnet area, tighten the nuts (pos. 31) as indicated in Table I.
If the leakage does not stop, follow the maintenance procedure for the replacement of the body/bonnet flange gasket (3.2).
- Every 2 / 3 months, depending on operating frequency, verify the greasing of bearings and stem thread.
- For actuated valves, in addition to the above, please refer also to the warnings in the actuator manual.

B - Preventive Actions

- Every 6 months on motorized valves and every 8 months on hand operated valves, grease stem and bearings.
- Every 4 years disassemble the critical service valves and/or actuated valves, verifying the sealing surfaces and lap them again when necessary. Substitute the bonnet gasket and the packing, grease the stem.
- For the actuator, proceed as indicated in its maintenance manual.

Troubleshooting Guide

Symptom	Possible Cause	Solution
Stem packing leaking	1. Packing damaged	1. Replace packing (See Paragraph 3.1)
Body-Bonnet leaking	1. Body-bonnet flange bolting loose 2. Gasket damage	1. Tighten bottom flange bolting 2. Replace the gasket
Valve leaking	1. Valve not fully closed 2. Debris trapped in valve 3. Sealing surface damaged	1. Close valve 2. Cycle and flush (with valve open) to remove debris 3. Recondition the seat surface
Jerky operation	1. Air supply inadequate (for pneumatic act.)	1. Increase air supply pressure

Section 3 - Maintenance

The Through Conduit valves have been designed to require minimum maintenance.

This manual describes on site repairs as:

- Packing Maintenance
- Body/Bonnet Flange Gasket Maintenance

All the other repairs should be performed by Raimondi or Nominated Service Company.

3.1. Packing Maintenance

If leakage is observed through the packing, replace the packing as follows:



Warning

Before starting any maintenance, depressurize, drain and vent the line; check that the valves are not in temperature; disconnect any electrical power supply. Failure to do so may cause serious personal injury and/or equipment damage.

1. Remove the yoke
2. Remove the worm-out packing using a hooking wire
3. For a better tightness, proceed to an accurate cleaning of the stem and stuffing box and make sure there are no scratches or signs of seizing
4. The repacking shall be carried out by placing one ring at a time around the stem, inside the stuffing box
5. Cycle the valve.
6. Pressurize the line.

3.2 Body-Bonnet Flange Gasket Replacement



Warning

Before starting any maintenance, depressurize, drain and vent the line; check that the valves are not in temperature; disconnect any electrical power supply. Failure to do so may cause serious personal injury and/or equipment damage.

1. Before replacing the gasket, carefully clean the flange surfaces.
2. Place the gasket in its seat and begin to carefully position the bonnet flange. Position it perfectly parallel to the gasket face; do not use the bolts to obtain this alignment.
3. In case the coupling is vertical (valve with horizontal stem), position the bonnet flange by means of a hoist; lock it with four bolts placed at 90° on from the other and tighten them until the flanges are perfectly coupled in their seat. Insert all the other bolts.
4. During tightening, make sure that the faces of the flanges remain perfectly parallel.
5. Tighten the bolts in the sequence indicated in fig. 3, using for the first turn a torque of approx. 1/4 of the maximum torque listed on table I. For a better performance of the joint, tighten again all the bolts after the equipment has been pressurized.

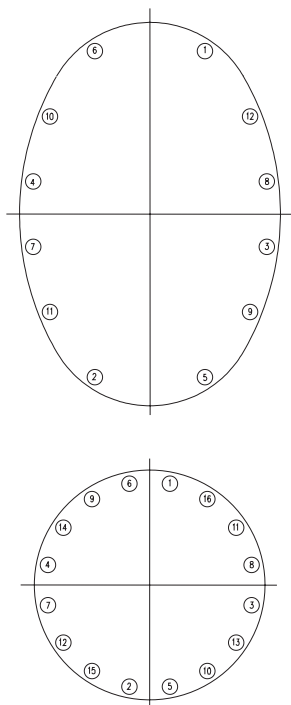


Fig. no. 3

Section 4 - Valve Removal

If the valve needs to be removed from the line for some extraordinary reason, the user should ensure the following:

1. The valve is depressurized, drained and vent.
2. The pipe shall be cut as far away from the valve as possible (only for welded valves).

Section 5 - Greases and Special Tools

5.1 Greases

To lubricate the bearings on manual and gearbox operated valves, we suggest to use the grease AGIP GRMUEP2 or an equivalent product, as showed in the following table:

Table II: Grease and Lubricant List

Manufacturer	Grease
AGIP	GRMUEP2
API	PGX2
BP	GREASE LTX2
ESSO	BEACON 2
FINA	FINAGREASE HP FINAGREASE EPL2
MOBIL	MOBILUX EP2
Q8	REMBRANDT EP2
SHELL	ALVANIA R2 SUPERGREASE A
TEXACO	MULTIFAK EP2 GREASE L2
TOTAL	MULTIS EP2 MULTIS 2
VISCOL	SIGNAL ROLSFER 2
STATOIL	UHIWAYLI LI G2

For the lubrication of the stem thread, use the grease SIGNAL CEP 30 produced by Viscol. As an alternative you can utilize:

- CEPLATTYN 300 produced by REINER-FUCHS
- GRAFLOSCON produced by KLUBER

You can also use a grease having more than 25% pure graphite content (carbon 98%) granulometry 5m, without any abrasive agent.

For the lubrication of the actuator, refer to the relevant manual.

5.2 Special Tools

No special tool required for the Maintenance Operation described in this Manual.