



CHEMAT

Ball valves with internal and external threads, with cutting ring threaded joint, pressure gauge ball valves and measuring lead plug valves

Features

- One piece ball valve
- Blowout proof shaft
- Adjustable packing gland
- Different seat materials available
- Integrated mounting plate according ISO 5211 for the actuator installation
- Can be used for flow on both directions
- DIN 3202 M3 face-to-face
- 90° angle of rotation, stop position limit integrated in the housing
- TA-Luft approval according VDI 2440

Options

- Control shaft extension
- Checking or venting connection
- Welded end
- Special overall lengths
- Hand wheels
- Special materials (Duplex, Hastelloy)
- Further options on request



Applications

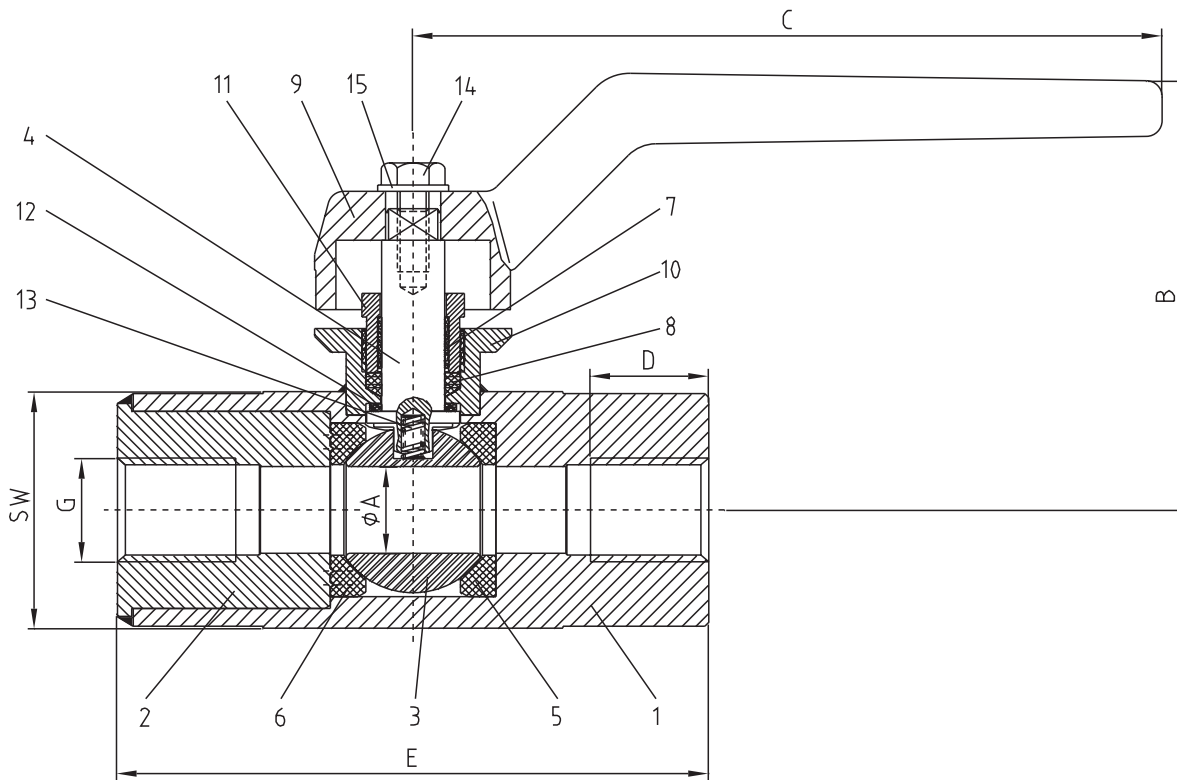
In the on/off operation for general industrial supply systems, as a shutoff device for pressure gauges.

Technical Data

Nominal sizes	DN 8 - 50 1/4" - 2"
Pressure stage	Nominal sizes depending on nominal size, see data sheets
Temp. range	-30°C to +200°C depending on model
Ball seat	PTFE 25%glass, Peek

Capro 330 coupling ball valve with female thread

Materials - dimensions - features



Materials

Item	Designation	Material	Number
1	Body	1.4404/1.4571	1
2	Body cap	1.4404/1.4571	1
3	Ball	1.4404	1
4	Shaft	1.4404/1.4571	1
5	Seat	PTFE 25%Glass	1
6	Seat	PTFE 25%Glass	1
7	Guide sleeve	Metaloplast	1
8	Packing	PTFE	1
9	Lever	Aluminium coated	1
10	Packing gland housing	1.4404/1.4571	1
11	Gland nut	1.4401	1
12	Friction washer	PTFE	1
13	Antistatic spring	1.4310	1
14	Screw	A2-70	1
15	Washer	A2-70	1

Features

- Blowout proof shaft
- One-piece stainless steel body
- PTFE; PTFE 25% glass seals
- TA-Luft approval according VDI 2440
- Screwed end to BSPP, BSPT, NPT

Operating temperature

From -20°C to +200°C

For general supply systems

Direction of flow

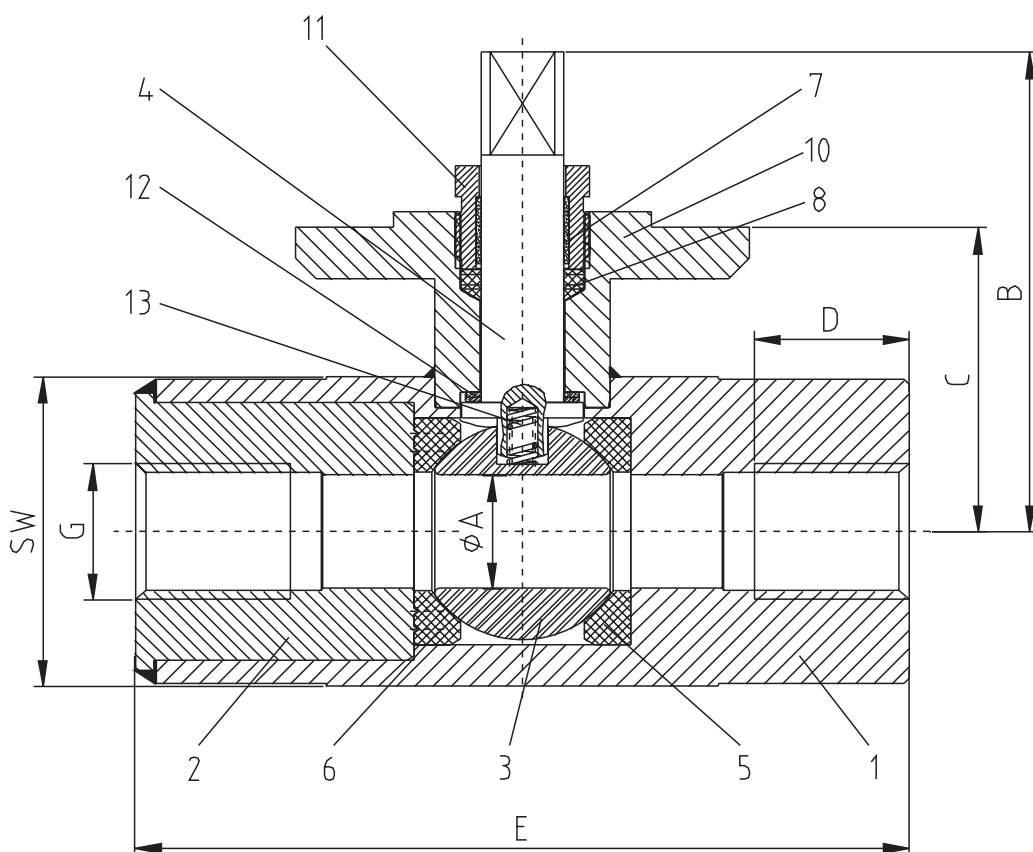
Any

Operating pressure

PN100 1" to PN40 2"

Dimensions

DN	øA	B	C	D	E	SW	PN	Weight (Kg)
8	11	44	95	15	75	30	100	0,39
10	11	44	95	15	75	30	100	0,36
15	11	44	95	20	75	30	100	0,32
20	17	57	116	21,5	80	41	100	0,64
25	25	67	116	19	90	55	100	1,33



Features

- Blowout proof shaft
- One-piece stainless steel body
- PTFE; PTFE 25% glass seals
- TA-Luft approval according VDI 2440
- Screwed end to BSPP, BSPT, NPT
- ISO topplate
- DIN 3202 M3 face-to-face

Operating temperature

From -20°C to +200°C

For general supply systems

Direction of flow

Any

Operating pressure

PN100 to 1"

Materials

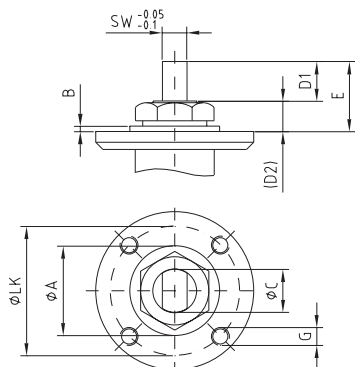
Item	Designation	Material	Number
1	Body	1.4404/1.4571	1
2	Body cap	1.4404/1.4571	1
3	Ball	1.4404	1
4	Shaft	1.4404/1.4571	1
5	Seat	PTFE 25%Glass	1
6	Seat	PTFE 25%Glass	1
7	Guide sleeve	Metaloplast	1
8	Packing	PTFE	1
10	Packing gland housing	1.4571	1
11	Gland nut	1.4401	1
12	Friction washer	PTFE	1
13	Antistatic spring	1.4310	1

Dimensions

DN	øA	B	C	D	E	SW	PN	Weight (Kg)
8	11	44	29,5	15	75	30	100	0,4
10	11	44	29,5	15	75	30	100	0,38
15	11	44	29,5	20	75	30	100	0,35
20	17	57	36,5	21,5	80	41	100	1,5

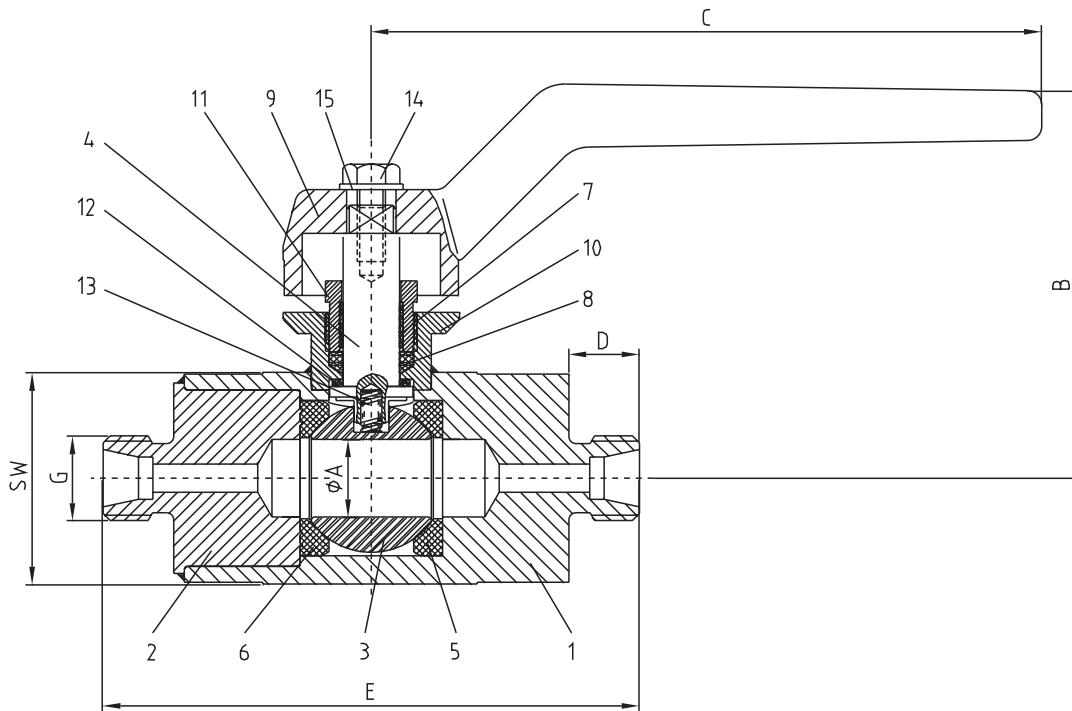
Dimensions

DN	F..	øLK	øA	B	G	SW	E	D1	D2	øC
8	F03	36	25	1.5	M5	5	17	10	7	8.0
10	F03	36	25	1.5	M5	5	17	10	7	8.0
15	F03	36	25	1.5	M5	5	17	10	7	8.0
20	F03	36	25	1.5	M5	7	19.5	11	8.5	12.0



Capro 330 for Ermeto coupling

Materials – dimensions - features



Materials

Item	Designation	Material	Number
1	Body	1.4404/1.4571	1
2	Body cap	1.4404/1.4571	1
3	Ball	1.4404	1
4	Shaft	1.4404/1.4571	1
5	Seat	PTFE 25%Glass	1
6	Seat	PTFE 25%Glass	1
7	Guide sleeve	Metaloplast	1
8	Packing	PTFE	1
9	Hand lever	Aluminium coated	1
10	Packing gland housing	1.4571	1
11	Gland nut	1.4401	1
12	Friction washer	PTFE	1
13	Antistatic spring	1.4310	1

Features

- Blowout proof shaft
- One-piece stainless steel body
- PTFE; PTFE 25% glass seals
- TA-Luft approval according VDI 2440
- Male thread connection for Ermeto coupling

Operating temperature

From -20°C to +200°C

For general supply systems

Direction of flow

Any

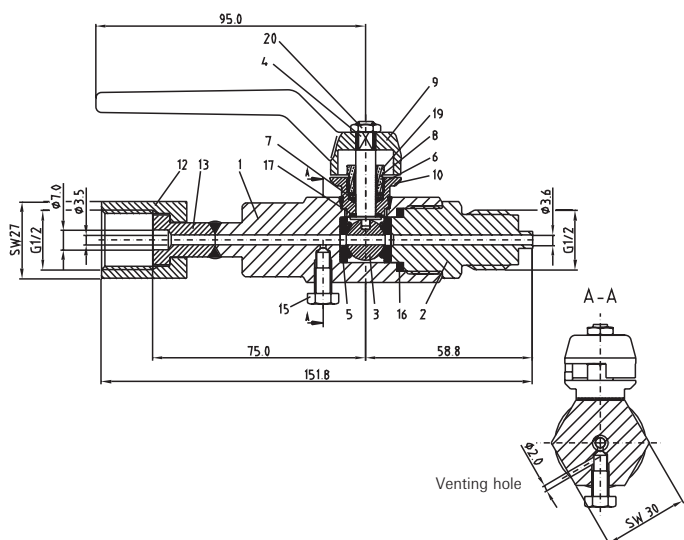
Operating pressure

PN100 to DN25

Dimensions

DN	φA	B	C	D	E	SW	PN	Weight (Kg)
6	11	44	95	10	76	30	100	0,39
8	11	44	95	10	76	30	100	0,36
10	11	44	95	11	76	30	100	0,36
12	11	44	95	11	80	30	100	0,34
28	25	67	116	14	120	55	40	3,5

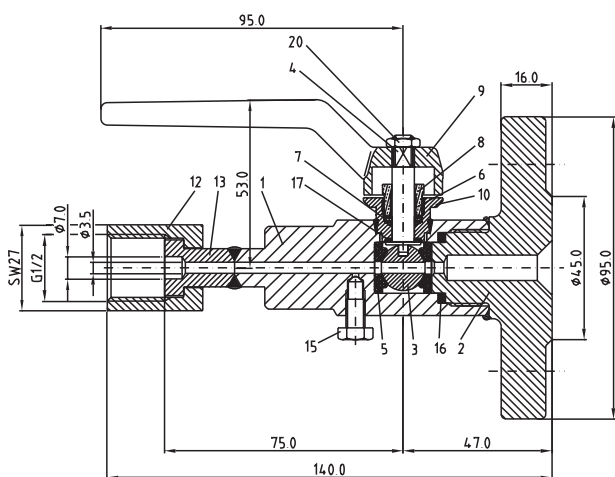
Capro 330 Manometer ball valve with union nut and male thread



Materials

Item	Designation	Material	Number
1	Body	1.4404/1.4571	1
2	Body cap	1.4404/1.4571	1
3	Ball	1.4404/1.4571	1
4	Shaft	1.4404/1.4571	1
5	Seat	PTFE 25%Glass	1
6	Guide sleeve	Metaloplast	1
7	Packing	PTFE	1
8	Packing gland	1.4571	1
9	Hand lever	Aluminium coated	1
10	Packing gland housing	1.4404/1.4571	1
12	Nut	1.4571	1
13	Nipple	1.4571	1
15	Special screw	A2-70	1
16	Body seal	PTFE	1
17	Friction washer	PTFE	1
20	Nut	A2-70	1

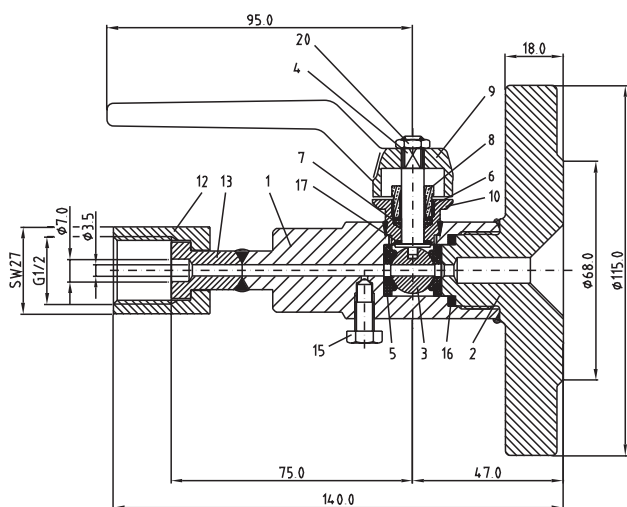
Capro 330 Manometer ball valve with union nut and flange connection DN15/PN40



Materials

Item	Designation	Material	Number
1	Body	1.4404/1.4571	1
2	Body cap with flange	1.4404/1.4571	1
3	Ball	1.4404/1.4571	1
4	Shaft	1.4404/1.4571	1
5	Seat	PTFE 25%Glass	1
6	Guide sleeve	Metaloplast	1
7	Packing	PTFE	1
8	Packing gland	1.4571	1
9	Hand lever	Aluminium coated	1
10	Packing gland housing	1.4404/1.4571	1
12	Union nut	1.4571	1
13	Nipple	1.4571	1
15	Special screw	A2-70	1
16	Body seal	PTFE	1
17	Friction washer	PTFE	1
20	Nut	A2-70	1

Capro 330 Manometer ball valve with union nut and flange connection DN25/PN40



Materials

Item	Designation	Material	Number
1	Body	1.4404/1.4571	1
2	Body cap with flange	1.4404/1.4571	1
3	Ball	1.4404/1.4571	1
4	Shaft	1.4404/1.4571	1
5	Seat	PTFE 25%Glass	1
6	Guide sleeve	Metaloplast	1
7	Packing	PTFE	1
8	Packing gland	1.4571	1
9	Hand lever	Aluminium coated	1
10	Packing gland housing	1.4404/1.4571	1
12	Union nut	1.4571	1
13	Nipple	1.4571	1
15	Special screw	A2-70	1
16	Body seal	PTFE	1
17	Friction washer	PTFE	1
20	Nut	A2-70	1

Features

- Blowout proof shaft
- One-piece stainless steel body
- PTFE; PTFE 25% glass seals
- TA-Luft approval according VDI 2440
- G1/2" male thread connection / G1/2" union nut with collar connection pieces as per DIN 16284

Operating temperature
From -20°C to +200°C

Suitable for mounting a manometer

Operating pressure
PN100



Control shaft extension in stainless steel or C-steel.
For all designs with ISO topplate.



Capromat self closing device for mounting
on ball valves with ISO topplate. Optimum
safety is ensured by the automatic resetting
(dead man's circuit).



Hand wheels



Further products from our range of products:
Sampler and 2 piece ball valves in stainless
steel, C-steel or special material.