

## CHEMAT

**CAPRO range sampling systems meet the high quality demands and technical safety requirements of the chemicals industry.**

### Features

- Pressure and vacuum-less removal without interrupting the media stream
- Blowout proof operating shaft, mounted from inside.
- Low-maintenance operating shaft seals with manual emergency reset TA-Luft checked as per VDI 2440.
- Antistatic leakage as per ISO 7121.
- Integrated mounting plate as per DIN/ISO 5211 for the drive installation.
- Precisely defined sample quantity between 16 and 55 ml possible
- Lining the dead spaces using spherical caps resulting in a representative sample
- Possible special designs:
  - Optional the valve can be supplied with special flanges
  - Depending on the overall length DIN/EN 558-1 Basic Series 1 the sampling valve can be flanged into an existing pipeline.

### Sampling via a cavity ball sampling valve

In the case of this sample removing system the sample is extracted pressure-less out of a pipe into the sample vessel in a preset quantity appropriate to the ball cavity size by rotating 270°. The size of the ball, and thus the content of the so-called cavity, stipulates the sample quantity which is extracted. Depending on the cavity size of the flanged sampling valve, volumes can be extracted between 16 and 55 ml. The extraction system has the advantage that the sample flows without pressure into the adapted sample removal vessel.



### Applications

Sampling of liquid substances and their mixtures in the chemical and pharmaceutical industry and in related areas for product removal where the materials C-steel or austenitic steel are suited.

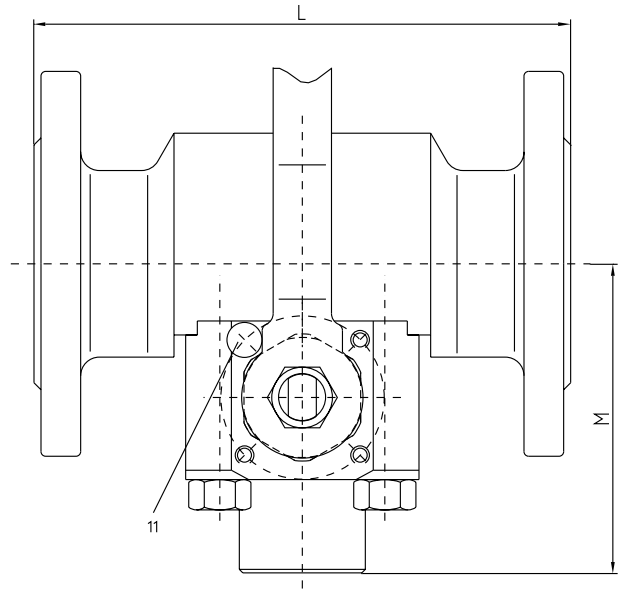
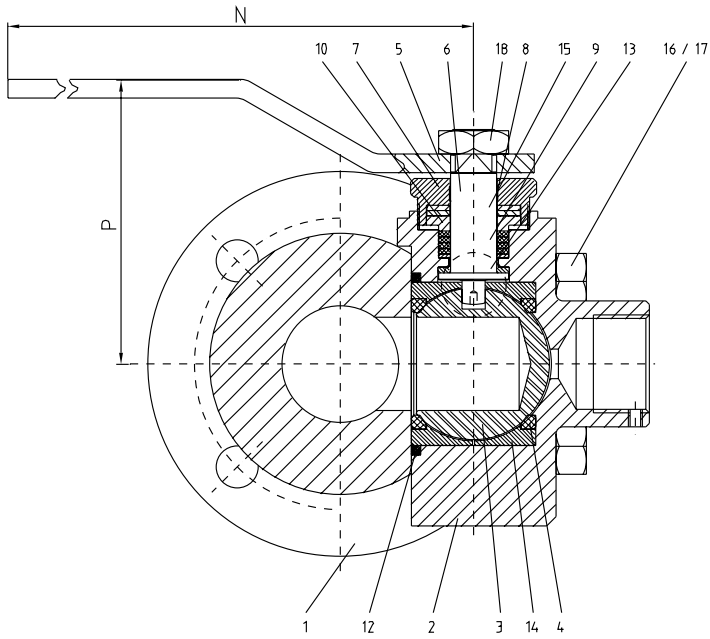
### Technical Data

Pressure (bar)	: PN16 - PN40
Temperature (°C)	: -30 to +160
Nominal sizes (mm)	: DN15 - DN100
Flange connection	: DIN, ANSI
Sample quantity (ml)	: 16 - 55

Special connections and special materials on request

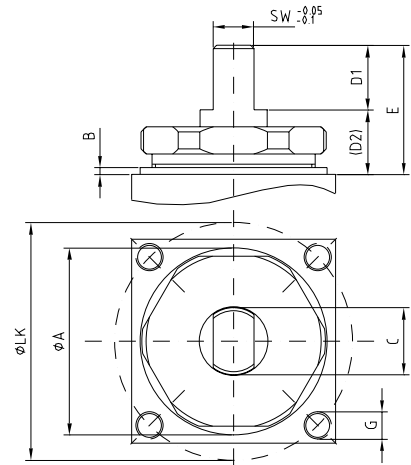
# CAPRO sampling valve range

Type 550 (Stainless steel), Type 650 (C-steel)

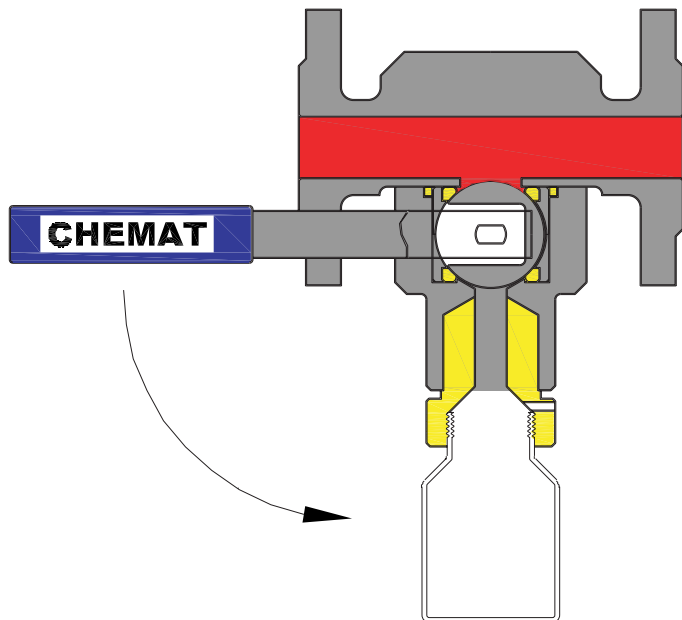


## Parts list - Materials

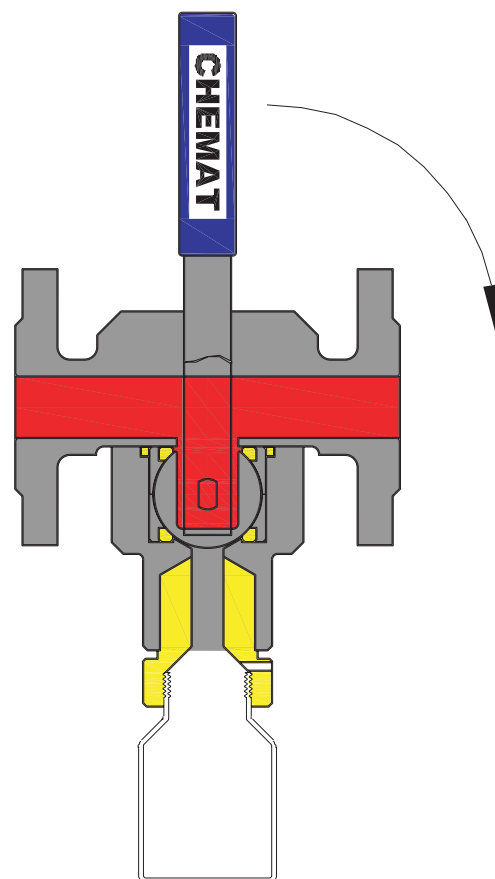
Item	Number	Designation	Material
1	1	Flange body	1.4571
2	1	Housing auxiliary part	1.4571
3	1	Ball	1.4404/1.4571
4	2	Ball seat	PTFE/Glass
5	1	Hand lever	1.4301
6	1	Control shaft	1.4462
7	1	Packing bolt	1.4404/1.4571
8	1	Guide sleeve	Metaloplast
9	1	Packing	TF4220 + 1.4044/1.4571
10	1	Pressure ring	1.4404/1.4571
11	1	Stop	1.4571/1.4301
12	1	Housing seal	PTFE
13	1	Control shaft bearing	PTFE/25%Carbon
14	2	Spherical cap	1.4571
15	2	Cup spring	1.4310
16	4	Stay bolt	A4-70/1.4571
17	4	Nut	A4
18	1	Nut	A4
19	1	Antistatic spring	1.4310



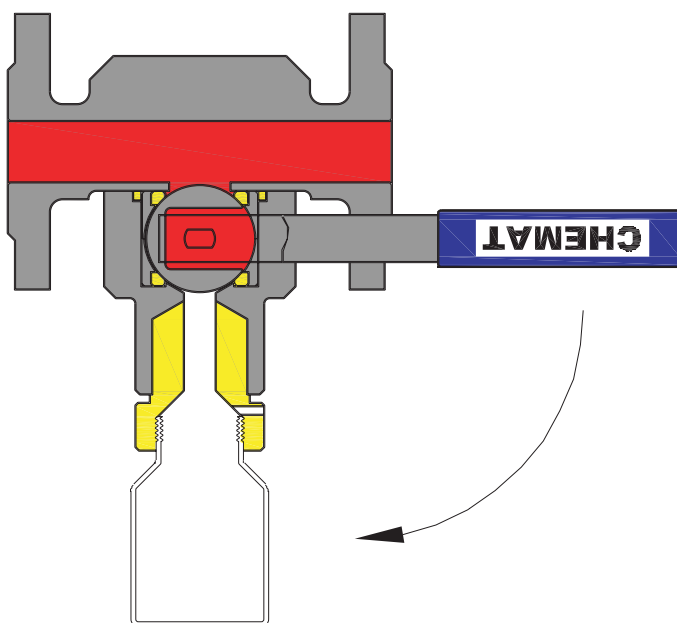
DN	Capacity	Threaded Connection	F	ØLK	ØA	B	G	SW	E	D1	D2	C	L	M	N	P	Nm
15	16 ml	DIN 168 GL 25 to GL 45	F05	50	35	2	M6	7	26.5	13	13.5	M12	130	101.1	200	105.5	20
25	16 ml	DIN 168 GL 25 to GL 45	F05	50	35	2	M6	7	26.5	13	13.5	M12	160	101.1	200	105.5	20
40	16 ml	DIN 168 GL 25 to GL 45	F05	50	35	2	M6	7	26.5	13	13.5	M12	200	108.6	200	105.5	20
50	55 ml	DIN 168 GL 25 to GL 45	F07	70	55	3	M8	12	38	18.5	19.5	M20	230	132.5	280	122	50
80	55 ml	DIN 168 GL 25 to GL 45	F07	70	55	3	M8	12	38	18.5	19.5	M20	310	163	280	122	50
100	55 ml	DIN 168 GL 25 to GL 45	F07	70	55	3	M8	12	38	18.5	19.5	M20	350	173	280	122	50



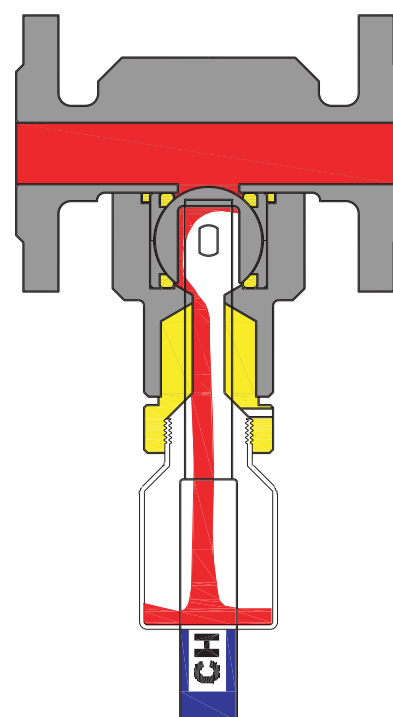
The sampling valve is in the closed position.  
The hand lever must be rotated through 270° in the direction  
of the arrow.



The sample cavity is filled with media without  
interrupting the media flow.



The sample is separated from the main flow.



By gravity the sample is flowing into the bottle  
without pressure.

**CAPRO sampling valve range**  
Type 550 (Stainless steel), Type 650 (C-steel)



**Bottle adapter**  
ISO GL45E with G1/4" air vent connection  
Material: PTFE



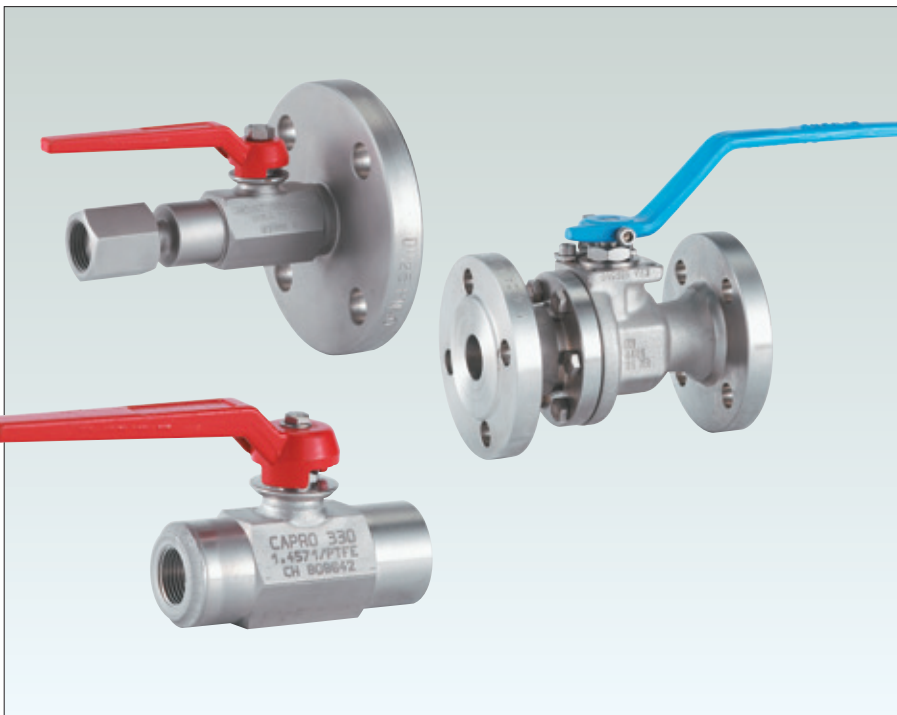
**PTFE 50 ml cannula adapter**  
Hastelloy needle  
For sample bottle with septum cap, incl. protective tube and holding bracket



**Bottle basket cpl.**  
For 50/100/250 ml bottles suitable for Capro 550



**Bottle adapter for sample bottle**  
Small size with bayonet connection  
Sampling volume 20 ml.



**Other products from our manufacturing range**  
1-part and 2-part ball-valves in stainless steel, C-steel or special materials Pressure gauge valves.