

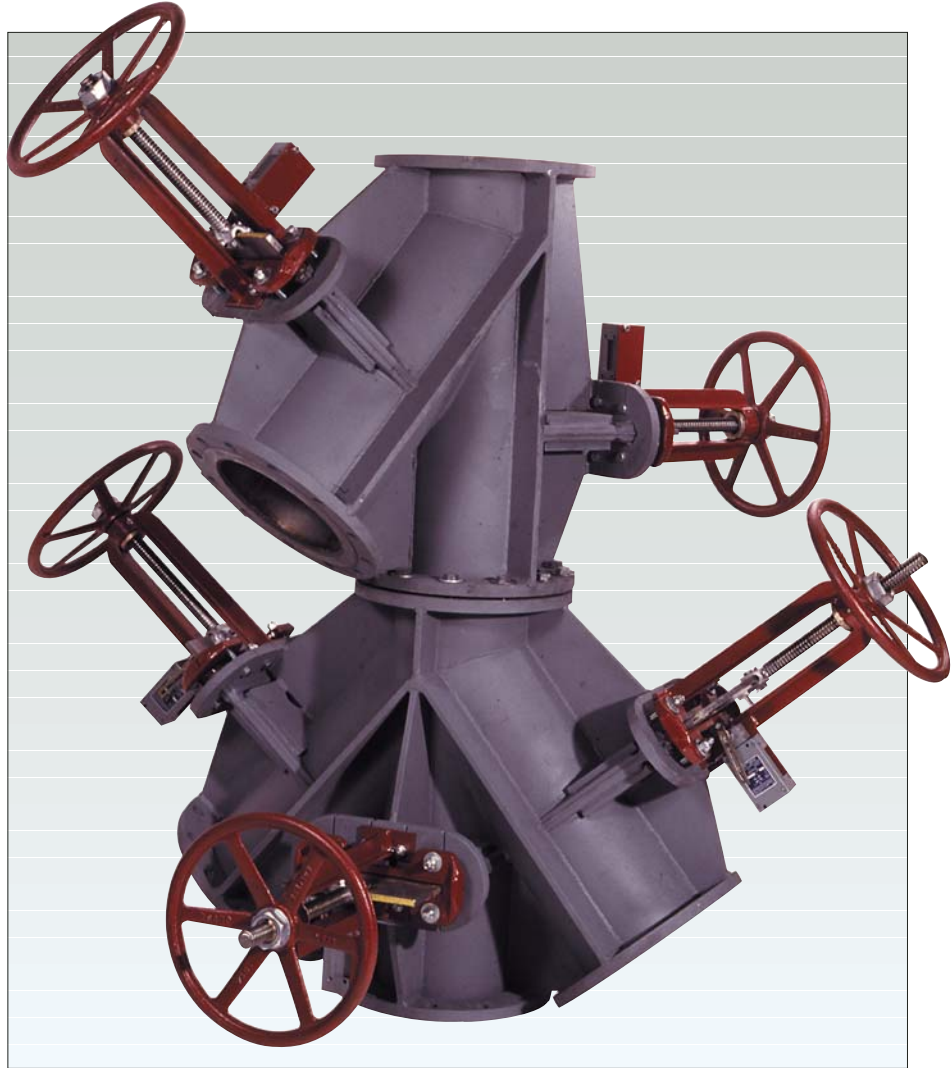


Rovalve

Multi-port knife gates are an effective answer to many diverting applications.

Features

- Multi-port knife gate valves are a single fabricated valve product with two (or more) integral knife gate assemblies.
- Designed to be used in place of the traditional flanged "Y" with bolt-in knife gates.
- Smooth flow, non-clogging.
- Metal-to-metal (Figure 2020) and resilient seat (Figure 1717).
- Valves are designed and built to your exact specifications.
- Available as a diverter or mixer.
- Manufactured as true "Y" dimensions, laterals, 30°, 60°, 90°, angles, whichever suits your piping configuration.
- Heavy duty fully fabricated construction.
- Heavy plate flanges and gussets for strength and durability.
- Fabricated from any weldable alloy.
- High pressure valves are available. butterfly valves and ball valves.



General applications

- Pulp and paper
- Food
- Petro-chemical
- Power
- Mining
- Waste water

Technical data

Size range : 2" thru 24" 150 psi CWP at ambient temperature.
Other sizes available built to exact requirements.

Rovalve Fabricated Multi-Port Knife Gate Valves

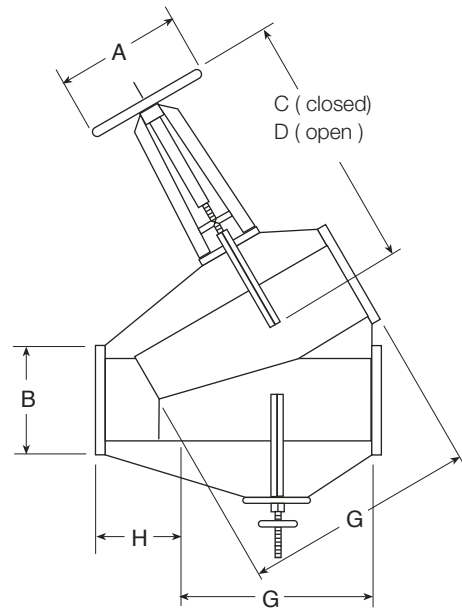
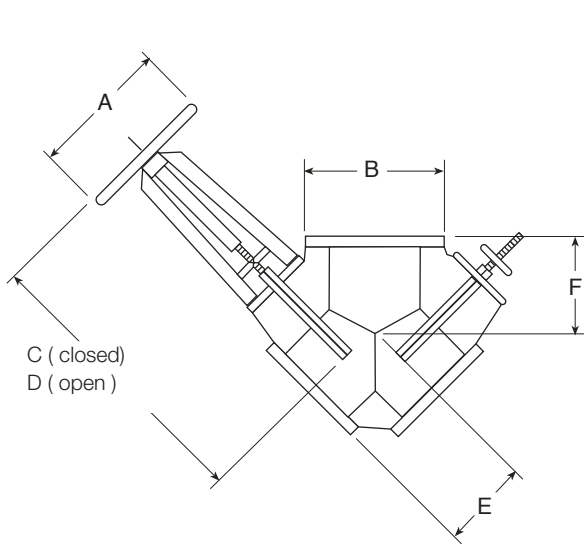
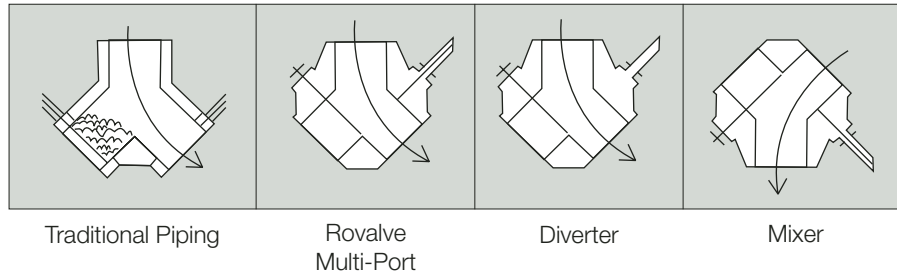
Wye Valves and Laterals

Features

Traditional piping assemblies may use two or more knife gate valves bolted together with a “Y” to divert flow. This can cause a dead leg that will fill with solids.

By using a Rovalve Multi-Port valve with integral knife gate assemblies you get a smoother flow and the dead leg is eliminated.

The Rovalve Multi-Port valve can be manufactured with one inlet and two or more outlets to act as a diverter, or with one or more inlets and a single outlet to act as a mixer.



Dimensions and Weights

Size	A	B	C	D	True “Y”		Lateral	
					E	F	G	H
3	8	7.50	15.00	17.63				
4	8	9.00	16.63	20.25	6.50	3.00	12.00	3.00
6	12	11.00	20.63	26.25	8.00	3.50	14.50	3.50
8	12	13.50	25.25	32.88	9.00	4.50	17.50	4.50
10	16	16.00	29.50	39.13	11.00	5.00	20.50	5.00
12	16	19.00	33.50	45.13	12.00	5.50	24.50	5.50
14	20	21.00	39.13	52.75	14.00	6.00	27.00	6.00
16	20	23.50	43.00	58.38	15.00	6.50	30.00	6.50
18	20	25.00	46.63	64.13	16.50	7.00	32.00	7.00
20	20	27.50	49.63	68.75	18.00	8.00	35.00	8.00
24	20	32.00	59.00	82.13	22.00	9.00	40.50	9.00

Note

Dimensions shown are for true “Y” and lateral fittings; other dimensions are available.