

INTERVALVE

A range of pressure seal gate valve designs, particularly suited for high temperature services in the power industry

Features

- A range of compact pressure seal gate valves designed according to ASME B16.34.
- All range is offered in four standard cast materials: WCB (generally used on feed water lines), WC6 and WC9 (both used on steam lines), C12A (proposed for high temp. applications).
- End to end dimensions as per ASME B16.10 short pattern.
- Available in wedge gate and parallel slide configurations.
- Seats are welded in.
- Position indicator is offered as standard.
- Stellite® gr. 6 overlay on seat and wedge or disc; Stellite® gr. 21 overlay on backseat.
- Pressure seal gasket has trapezoidal shape for a low load on bolting, and is supplied in graphite with integral stainless steel anti-extrusion protection.
- Standard ISO top mounting for easy assembly of any type of actuator or bevel gear.
- Available options: wedge vent hole or overpressure pipe, by-pass, limit switch in open or closed position.



Technical data

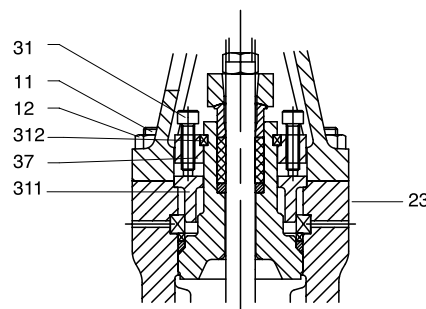
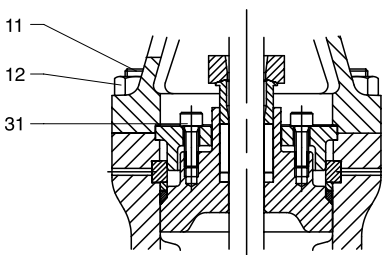
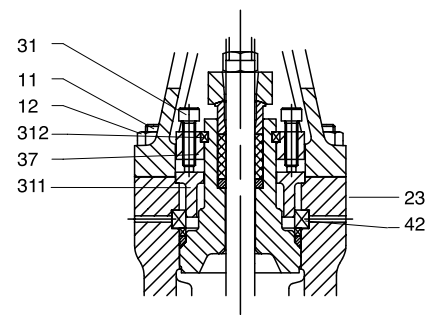
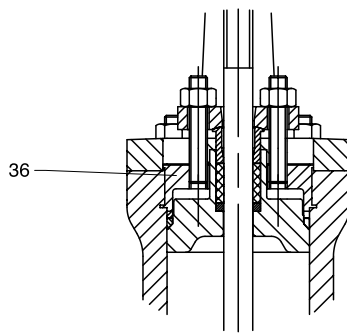
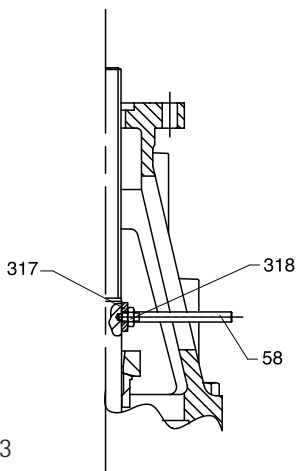
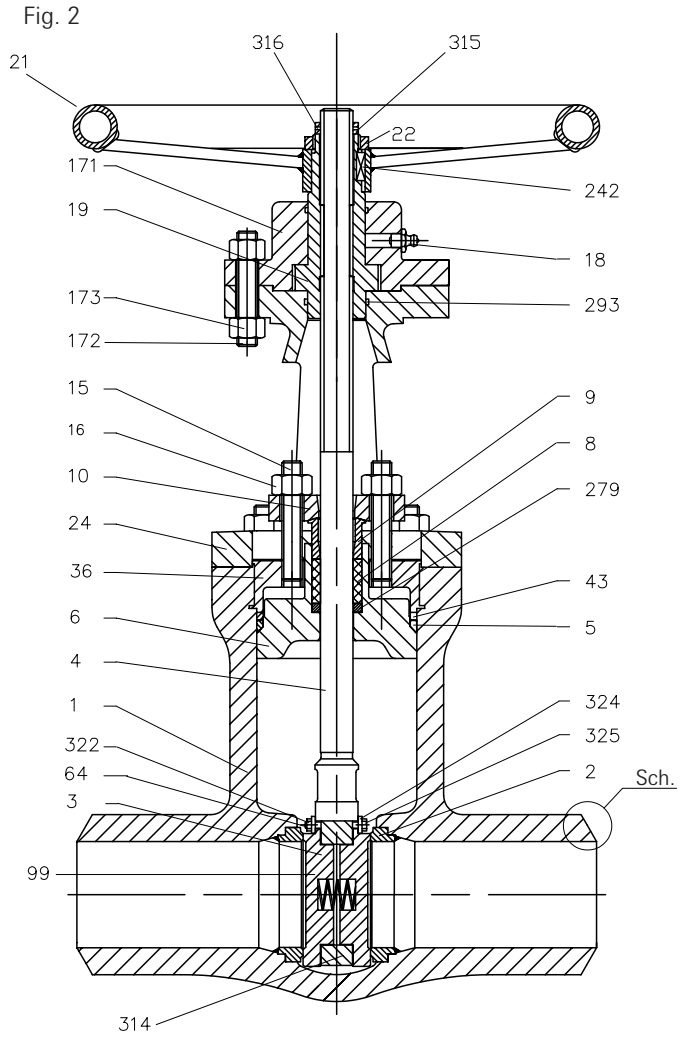
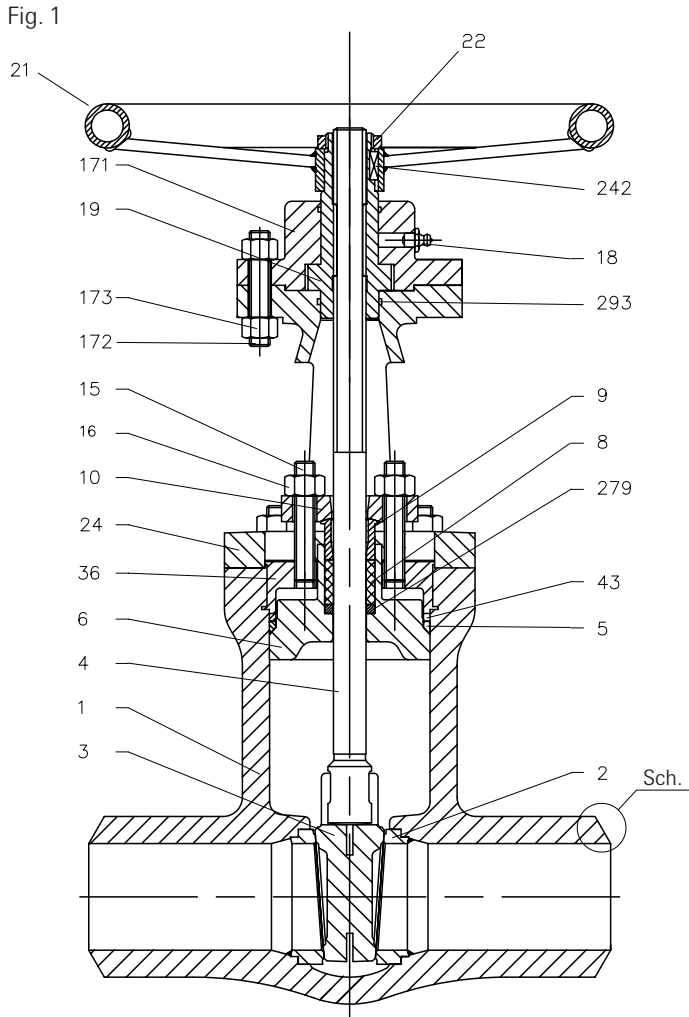
Pressure ratings	: ASME classes 900 to 2500
Body materials	: A216 WCB, A217 WC6, A217 WC9, A217 C12A
Temperature (°C)	: -46 to +650
Sizes (mm)	: 50 to 600 (DN50 - DN600)
Connections standards	: ASME B16.25

General application

Our pressure seal -Style A- gate valves are recommended for several applications in the power industry, in particular in feed water lines, steam lines, and in services which involve high temperatures media.

Wedge Gate Configuration

Parallel Slide Configuration



Notes

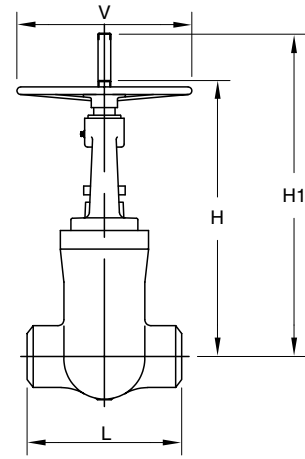
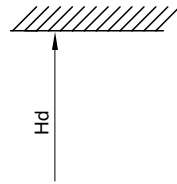
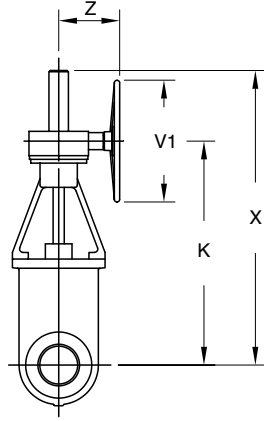
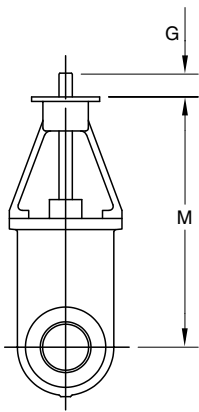
1. Fig. 4 is applicable for DN50 and DN65 only.
2. Fig. 5 is applicable for DN80 only.
3. Fig. 6 is applicable for DN100 to DN600 (ASME cl. 900 & 1500), and for DN300 to DN600 (ASME Class 2500).
4. Fig. 7 is applicable for DN100 to DN250 (ASME Class 2500).

Material specification					
Ref	Description	Body Mat.: WCB	Body Mat.: WC6	Body Mat.: WC9	Notes
1	Body	A 216 WCB	A 217 WC6	A 217 WC9	
2	Seat	A 105 + Stellite gr. 6	A 182 F22 + Stellite gr. 6	A 182 F22 + Stellite gr. 6	1
3	Wedge (for wedge gate conf.)	A 216 WCB + Stellite gr. 6	A 217 WC9 + Stellite gr. 6	A 217 WC9 + Stellite gr. 6	2
3	Disc (for parallel slide conf.)	A 105 + Stellite gr. 6	A 182 F22 + Stellite gr. 6	A 182 F22 + Stellite gr. 6	2
4	Stem	A 182 F6a Cl 2	A 565 gr 616HT	A 565 gr 616HT	
5	Gasket	316 reinforced graphite	316 reinforced graphite	316 reinforced graphite	
6	Bonnet	A 105 + Stellite gr. 21	A 182 F22 + Stellite gr. 21	A 182 F22 + Stellite gr. 21	
8	Packing	Graphite	Graphite	Graphite	
9	Gland	A 182 F6a Cl 2	A 182 F6a Cl 2	A 182 F6a Cl 2	
10	Gland flange	A 516 gr 70	A 516 gr 70	A 516 gr 70	
11	Body-yoke bolts	A 193 B7	A 193 B7	A 193 B16	
12	Body-yoke nuts	A 194 2H	A 194 2H	A 194 4	
15	Gland bolts	A 193 B7	A 193 B7	A 193 B16	
16	Gland nuts	A 194 2H	A 194 2H	A 194 4	
18	Lubricator	Carbon steel	Carbon steel	Carbon steel	
19	Yoke sleeve	A 763 Gr A	A 763 Gr A	A 763 Gr A	
21	Handwheel	Carbon steel	Carbon steel	Carbon steel	
22	Handwheel nut	A 105	A 105	A 105	
23	Name Plate	Stainless steel	Stainless steel	Stainless steel	
24	Yoke	A 216 WCB	A 216 WCB	A 216 WCB	
31	Bonnet screw	A 193 B7	A 193 B16	A 193 B16	
36	Bonnet retaining ring	A 105	A 182 F22	A 182 F22	3
37	Gland bolts flange	A 105	A 105	A 105	4
42	Segment ring	A 182 F22	A 182 F22	A 182 F22	5
43	Intermedia thrust ring	A 182 F22	A 182 F22	A 182 F22	
58	Position indicator	A 105	A 105	A 105	
64	Split pin	Stainless steel	Stainless steel	Stainless steel	
99	Spring	Inconel 718	Inconel 718	Inconel 718	
171	Bearings housing	A 105	A 105	A 105	
172	Coupling bolts	A 193 B7	A 193 B7	A 193 B7	
173	Coupling nuts	A 194 2H	A 194 2H	A 194 2H	
242	Key	Key steel	Key steel	Key steel	
279	Bottom ring	A 182 F6a Cl 2	A 182 F6a Cl 2	A 182 F6a Cl 2	
293	O-Ring	Viton 70 sh	Viton 70 sh	Viton 70 sh	
311	Retaining ring	A 105	A 105	A 105	6
312	Two half ring	A 182 F6a Cl 2	A 182 F6a Cl 2	A 182 F6a Cl 2	7
314	Anchor	A 216 WCB	A 217 WC9	A 217 WC9	
315	Stop ring	A 182 F6a Cl 2	A 182 F6a Cl 2	A 182 F6a Cl 2	
316	Pin	Stainless steel	Stainless steel	Stainless steel	
317	Ring	A 105	A 105	A 105	
318	Nut	A 194 2H	A 194 2H	A 194 2H	
322	Nut	A 194 8	A 194 8	A 194 8	
324	Bushing	A 182 F6a Cl 2	A 182 F6a Cl 2	A 182 F6a Cl 2	
325	Screw	A 193 B8	A 193 B8	A 193 B8	

Notes

1. Seats are welded in.
2. Flexible.
3. Applicable for DN50 and DN65 only (ASME Class 900-1500-2500).
4. Applicable for DN80 only (ASME Class 900 and 1500); from DN50 to DN250 (ASME Class 2500).
5. Applicable for DN from 80 to 600 (ASME Class 900-1500-2500).
6. Applicable for DN from 80 to 600 (ASME Class 900 and 1500).
7. Applicable for DN80 (Class 900 and 1500); from DN50 to DN250 (ASME Class 2500).

Pressure Seal Cast Gate Valves -Style A- Wedge Gate and Parallel Slide



Dimensions and weights ASME Class 900

Size (mm)	G	M	L	Hd	H	H1	V	V1	Z	K	X	Top flange	Travel (n° turns ± 1)	Travel (mm)	Weight (bare shaft)
50	140	395	216	760	535	600	200					F10	15.0	63	38
65	140	395	254	760	535	600	200					F10	15.0	63	50
80	140	480	305	890	620	695	250					F10	18.0	76	55
100	150	520	356	960	665	765	300					F10	19.0	97	70
150	170	750	508	1,335				600	350	840	1,175	F14	22.5	142	175
200	180	870	660	1,510				800	350	960	1,295	F14	29.5	186	295
250	205	975	787	1,725				800	430	1,075	1,435	F16	36.5	230	485
300	215	1,130	914	1,985				800	430	1,230	1,690	F25	43.0	273	795
350	230	1,315	991	2,260				800	550	1,430	2,000	F30	37.0	311	940
400	250	1,465	1,092	2,515				800	550	1,605	2,150	F30	41.0	345	1,240
450	250	1,600	1,143	2,725				800	550	1,745	2,285	F35	46.5	391	1,640
500	300	1,740	1,245	3,005				800	430	2,110	2,495	F35	52.0	438	2,150
600	305	2,060	1,397	3,510				800	465	2,480	2,955	F40	41.0	517	2,800

Dimensions and weights ASME Class 1500

Size (mm)	G	M	L	Hd	H	H1	V	V1	Z	K	X	Top flange	Travel (n° turns ± 1)	Travel (mm)	Weight (bare shaft)
50	140	395	216	760	535	600	200					F10	15.0	63	38
65	140	395	254	760	535	600	200					F10	15.0	63	50
80	140	480	305	890	620	695	250					F10	18.0	76	55
100	150	515	406	955	665	765	350					F14	19.0	95	95
150	175	745	559	1,325				800	350	835	1,170	F14	22.0	137	210
200	210	915	711	1,630				800	430	1,015	1,375	F16	28.5	179	425
250	240	1,030	864	1,870				800	550	1,150	1,690	F25	26.0	220	735
300	245	1,155	991	2,085				800	550	1,300	1,840	F30	31.0	260	1,160
350	245	1,340	1,067	2,340				800	570	1,485	2,010	F35	34.5	291	1,300
400	255	1,465	1,194	2,540				800	430	1,835	2,120	F35	38.5	324	1,750
450	255	1,670	1,346	2,860				800	430	2,040	2,325	F35	30.0	376	2,510
500	300	1,840	1,473	3,165				800	465	2,260	2,635	F40	33.0	418	3,350
600	300	2,105	1,943	3,610				800	510	2,530	3,010	F48	39.0	490	4,500

Dimensions and weights ASME Class 2500

Size (mm)	G	M	L	Hd	H	H1	V	V1	Z	K	X	Top flange	Travel (n° turns ± 1)	Travel (mm)	Weight (bare shaft)
50	140	385	279	780	530	585	200					F10	13.0	55	40
65	140	385	330	820	530	585	200					F10	13.0	55	50
80	155	455	368	880	610	675	250					F10	15.0	63	60
100	155	500	457	930				600	350	590	830	F14	15.0	75	110
150	175	755	610	1,300				800	350	845	1,180	F16	18.5	117	285
200	205	915	762	1,700				800	430	1,015	1,375	F16	24.0	152	515
250	245	1,110	914	2,300				800	550	1,250	1,795	F30	23.0	191	1,065
300	260	1,205	1,041	2,300				800	570	1,350	1,890	F35	27.0	225	1,655
350	255	1,300	1,118	2,480				800	430	1,670	1,860	F35	29.0	245	1,790
400	300	1,515	1,245	2,840				800	465	1,940	2,210	F40	23.0	285	2,550
450	300	1,620	1,397	3,040				800	465	2,040	2,315	F40	25.5	319	3,450
500	300	1,770	1,524	3,270				800	510	2,200	2,670	F48	28.0	351	4,650
600	390	2,040	1,676	3,870				800	605	2,550	3,025	F60	33.0	420	6,300