

KTM MODEL NB / MB THREE-WAY BALL VALVES

2-SEATS (L-PORT) AND 4-SEATS (L AND T-PORT)

A single KTM 3-way ball valve replaces several 2-way valves, saving valuable space and simplifying piping



FEATURES

- Positive alignment of body.
- Blow-out proof stem for safety.
- Sphericity tolerance of the ball is unsurpassed.
- Multiple layers of adjustable PTFE chevron packing rings for standard model enable excellent fugitive emission control.
- Positive position indication.
- Locking device capable.
- Heavy duty body construction.
- Machined ISO 5211 top mounting flange.
- Live load springs keep constant force on stem-seal packing, ensuring seal integrity and extended valve life.
- Dual shaft bearings for high cycle life operation.
- Higher C_v values and less cost for diverting which can be normally done with multiple installation of valves.

2 seats feature

- OM2 compatible, co-polymer E-seat as standard.
- Machined firesafe lip for metal touch to ball in case of fire. It also eliminates possibility of seat deformation.
- Lower operating torque, easing operation and reducing actuator cost.

4 seats feature

- Equipped with 4 seats so that each port can be used as an inlet.
- Available with L-port and T-port for variety of applications.
- E-seat as standard for MB11 and MB21.

GENERAL APPLICATION

Diverting or mixing fluids.

TECHNICAL DATA

2 seats (L-port)

Model:	NB11 / NB12 / NB21 / NB22
Full bore:	DN 40 - 200 (NB11 / NB12)
Reduced bore:	DN 125 - 250 (NB21 / NB22)
Pressure rating:	ASME Class 150, 300 JIS 10K, 20K
Temperature:	-29°C to 270°C (Option: up to 500°C)

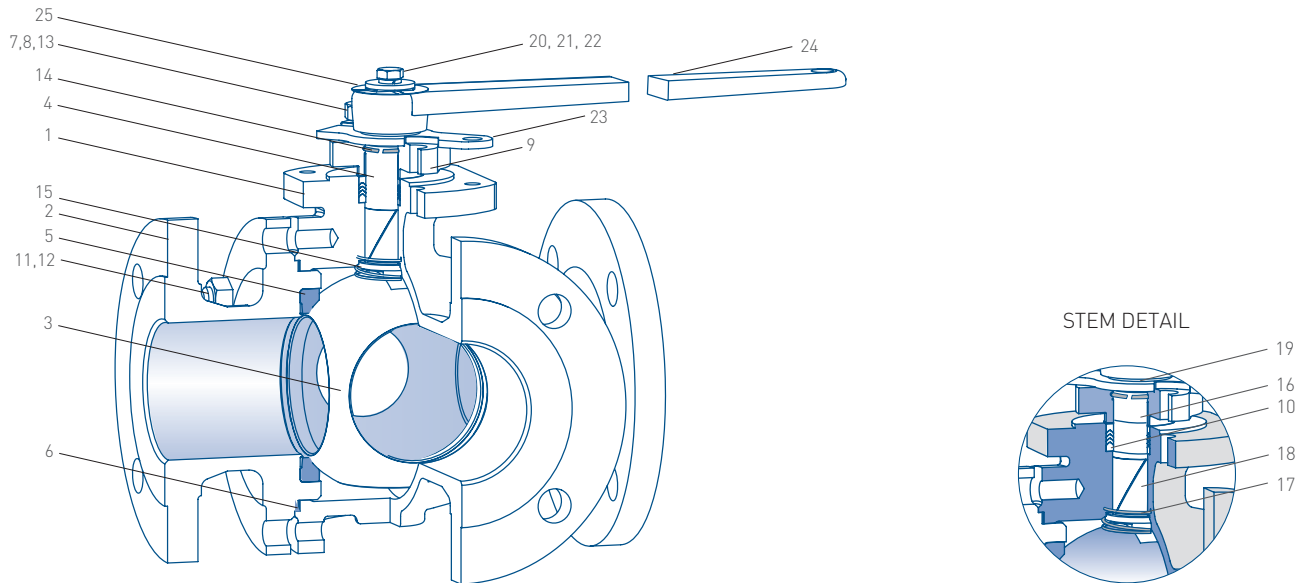
4 seats (L and T-port)

Model:	MB11 / MB12 / MB21 / MB22
Full bore:	DN 15 - 200 (MB11 / MB12)
Reduced bore:	DN 125 - 200 (MB21 / MB22)
Pressure rating:	ASME Class 150, 300 JIS 10K, 20K
Temperature:	-29°C to 150°C

KTM MODEL NB / MB THREE-WAY BALL VALVES

2-SEATS (L-PORT) AND 4-SEATS (L AND T-PORT)

2-SEATS (L-PORT) NB11, NB12, FULL BORE / NB21, NB22 REDUCED BORE



NOTE: The illustration shows body construction of 3-way ball valve, Model NB11 in DN 80

PARTS LIST

No.	Description	Material
1	Body	CF8M, CF8, or WCB
2	Body cap	CF8M, CF8, or WCB
3	Ball	CF8M or CF8
4	Shaft	316 S/S or 304 S/S
5	Seat	E-seat as standard (T or G seat for options)
6	Gasket	R-PTFE
7	Gland bolt	A193 (G) B8
8	Washer	316 S/S
9	Gland flange	CF8
10	Gland packing	PTFE
11	Stud	A193 (G) B8 or A193 (G) B7
12	Nut	A194 (G) 8 or A194 (G) 2H
13	Live loading spring	304 S/S
14	Anti-static spring	316L S/S
15	Anti-static spring	316L S/S
16	Gland bearing	PTFE
17	Thrust bearing	PTFE
18	Shaft bearing	R-PTFE
19	Snap ring	304 SS
20	Spring washer	304 S/S
21	Bolt	304 S/S
22	Washer	304 S/S
23	Stopper	304 S/S
24	Handle	Carbon steel
25	Indicator	304 S/S

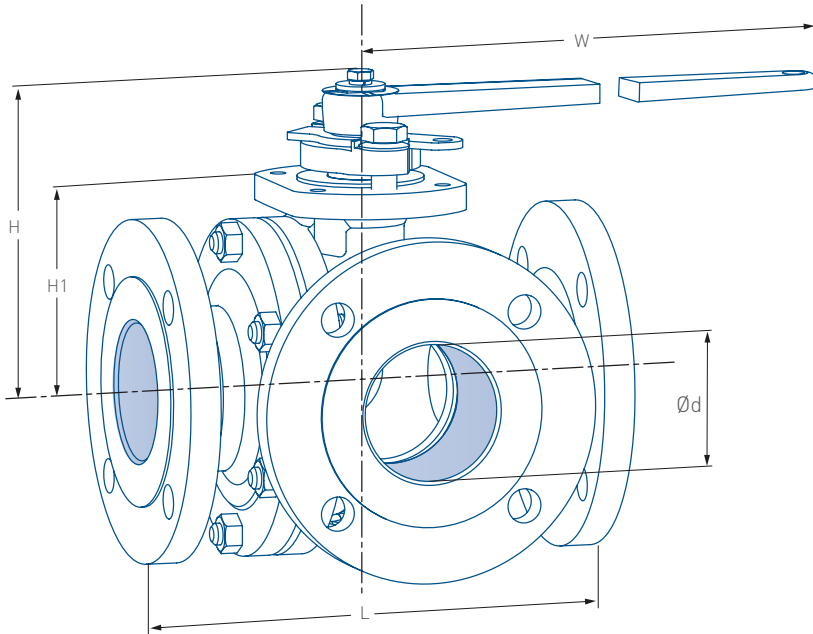
OPTIONS

- NACE MR-01-75
- Gratitude seat for high temp. service (2 seats)
- Extension bonnet for low temp. service (2 seats)
- CE Marking PED 97 / 23 / EC
- Special tests
 - X-ray (RT)
 - Liquid penetrant (PT)
 - Positive Material Identification (PMI)

KTM MODEL NB / MB THREE-WAY BALL VALVES

2-SEATS (L-PORT) AND 4-SEATS (L AND T-PORT)

2-SEATS (L-PORT) NB11, NB12, FULL BORE / NB21, NB22 REDUCED BORE



ASME CLASS 150 / JIS 10K DIMENSIONS - NB11 AND NB21

DN	Full bore - NB11					Reduced bore - NB21					
	Ød	L	H	W	H1	Ød	Ødo	L	H	W	H1
40	38	210	103	230	69	-	-	-	-	-	-
50	51	220	113	230	79	-	-	-	-	-	-
65	64	250	155	400	104	-	-	-	-	-	-
80	76	260	164	400	113	-	-	-	-	-	-
100	102	330	189	715	138	-	-	-	-	-	-
125	127	370	311	1050	168	102	127	370	189	685	138
150	152	430	331	1050	188	127	152	430	311	1050	168
200	203	540	414	1510	248	152	200	540	331	1050	188
250	-	-	-	-	-	203	251	670	414	1410	248

ASME CLASS 300/ JIS 20K DIMENSIONS - NB12 AND NB22

DN	Full bore - NB12					Reduced bore - NB22					
	Ød	L	H	W	H1	Ød	Ødo	L	H	W	H1
40	38	220	103	230	69	-	-	-	-	-	-
50	51	240	113	230	79	-	-	-	-	-	-
65	64	270	155	400	104	-	-	-	-	-	-
80	76	290	164	400	113	-	-	-	-	-	-
100	102	350	189	715	138	-	-	-	-	-	-
125	127	410	311	1050	168	102	127	410	189	685	138
150	152	460	331	1050	188	127	152	460	311	1050	168
200	203	570	414	1510	248	152	200	570	331	1050	188
250	-	-	-	-	-	203	251	720	414	1410	248

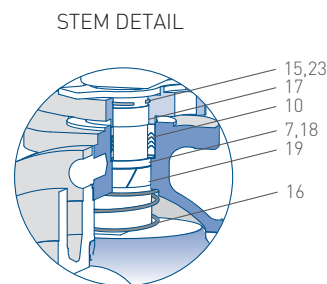
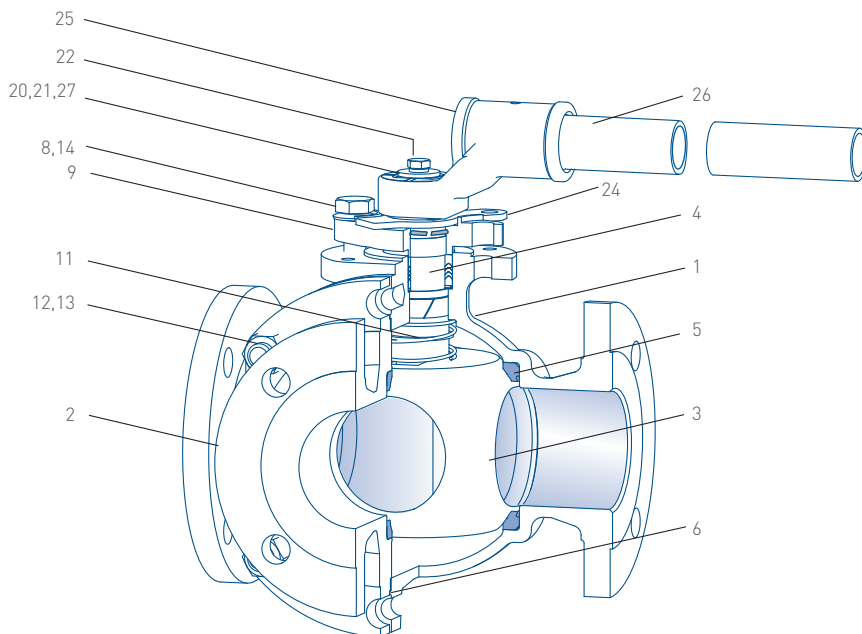
NOTE:

Ødo = bore opening diameter on reduced bore valves

KTM MODEL NB / MB THREE-WAY BALL VALVES

2-SEATS (L-PORT) AND 4-SEATS (L AND T-PORT)

4-SEATS (L AND T-PORT) MB11, MB12 FULL BORE / MB21, MB22 REDUCED BORE



NOTE: The illustration shows body construction of 3-way ball valve, Model MB11 in DN 80

PARTS LIST

No.	Description	Material
1	Body	CF8M, CF8, or WCB
2	Body cap	CF8M, CF8, or WCB
3	Ball	CF8M or CF8
4	Stem	316 S/S or 304 S/S
5	Seat	E-seat as standard (G-seat an option)
6	Gasket	PTFE
7	Thrust washer	316 S/S
8	Gland bolt	A193 (G) B8
9	Gland flange	CF8
10	Gland packing	PTFE
11	Snap ring	304 S/S
12	Stud	A193 (G) B8 or A193 (G) B7
13	Nut	A194 (G) 8 or A194 (G) 2H
14	Live loading spring	304 S/S
15	Anti-static spring	316L S/S
16	Anti-static spring	316L S/S
17	Gland bearing	PTFE
18	Thrust bearing	PTFE
19	Shaft bearing	R-PTFE
20	Washer	304 S/S
21	Spring washer	304 S/S
22	Bolt	304 S/S
23	Snap ring	304 S/S
24	Stopper	304 S/S
25	Handle head	Carbon steel
26	Handle/pipe	Carbon steel
27	Indicator	304 S/S

OPTIONS

- NACE MR-01-75
- CE Marking PED 97 / 23 / EC
- Special tests
 - X-ray (RT)
 - Liquid penetrant (PT)
 - Positive Material Identification (PMI)

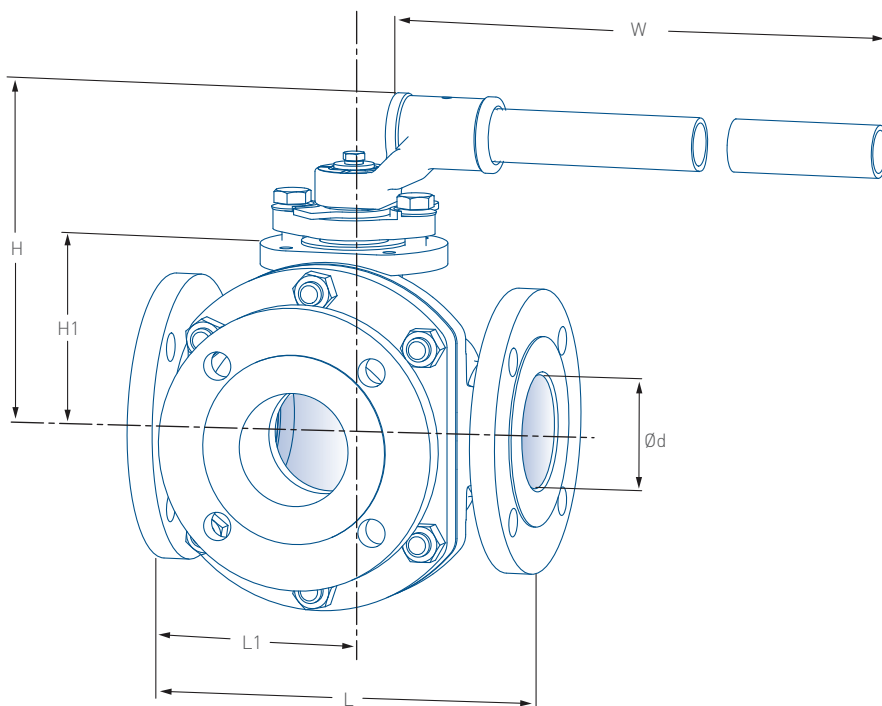
NOTE:

Please consult us for 4 seats ASME Class 300 valves [MB12 and MB22]

KTM MODEL NB / MB THREE-WAY BALL VALVES

2-SEATS (L-PORT) AND 4-SEATS (L AND T-PORT)

4 - SEATS (L AND T - PORT) MB11 FULL BORE / MB21 REDUCED BORE



ASME CLASS 150 / JIS 10K DIMENSIONS - MB11 AND MB21

DN	Full bore - MB11						Reduced bore - MB21						
	Ød	L	L1	H	W	H1	Ød	Ødo	L	L1	H	W	H1
15	13	140	25	94	160	46	-	-	-	-	-	-	-
20	19	150	30	108	230	52	-	-	-	-	-	-	-
25	25	160	34	110	230	55	-	-	-	-	-	-	-
40	38	210	51	158	400	97	-	-	-	-	-	-	-
50	51	220	63	164	400	103	-	-	-	-	-	-	-
65	64	250	74	215	715	113	-	-	-	-	-	-	-
80	76	260	87	224	715	122	-	-	-	-	-	-	-
100	102	330	106	304	1050	161	-	-	-	-	-	-	-
125	127	430	151	327	1050	184	102	127	370	108	304	1050	161
150	152	510	167	314	-	223	127	152	430	151	327	1050	184
200	203	580	211	400	-	282	152	203	500	167	-	-	223

NOTE:

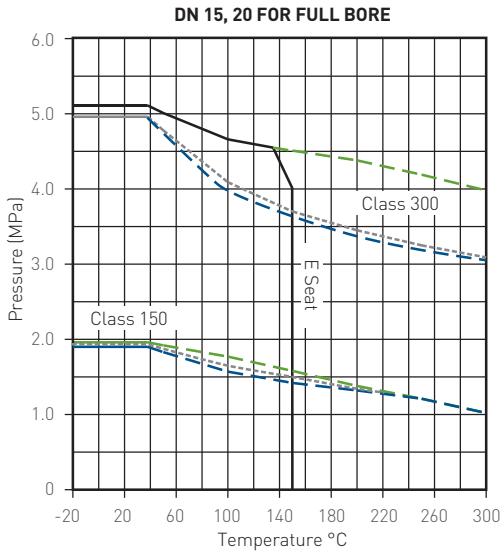
Ødo = bore opening diameter on reduced bore valves

Please consult us for 4 seats ASME Class 300 valves (MB12 and MB22)

KTM MODEL NB / MB THREE-WAY BALL VALVES

2-SEATS (L-PORT) AND 4-SEATS (L AND T-PORT)

PRESSURE-TEMPERATURE RATINGS



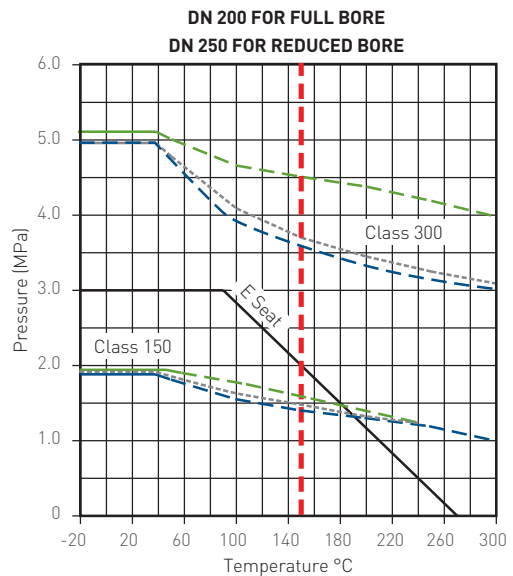
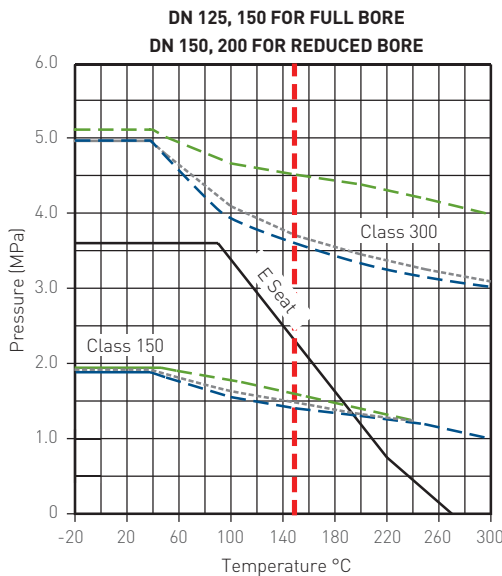
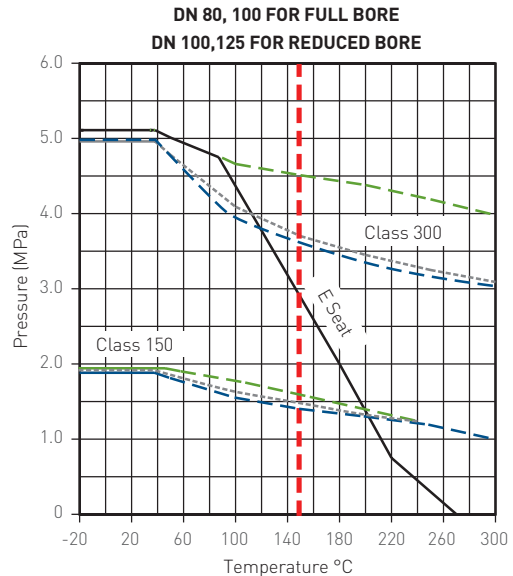
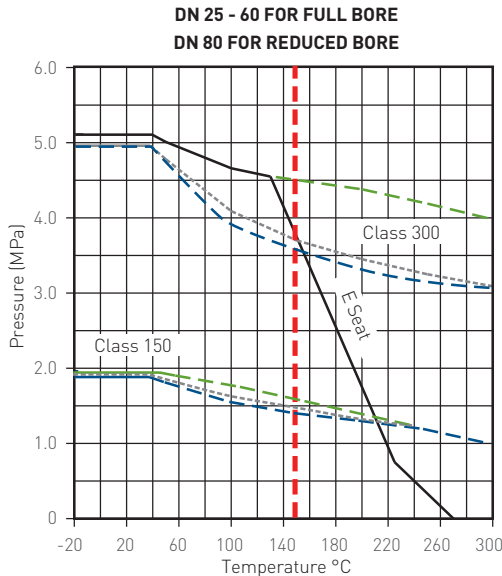
LEGEND:

Dashed lines indicate body ratings.



NOTE:

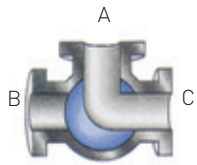
E seat is PTFE/PFA copolymer seat
 Seat ratings for Gratiite seated valves are identical to ASME body ratings
 Please consult us for 4 seats ASME Class 300 valves (MB12 and MB22)



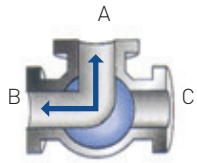
KTM MODEL NB / MB THREE-WAY BALL VALVES

2-SEATS (L-PORT) AND 4-SEATS (L AND T-PORT)

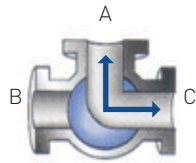
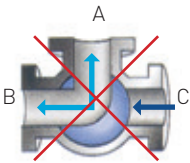
OPERATION FORM L-PORT (NB11, NB12, NB21, NB22 AND MB11, MB21)



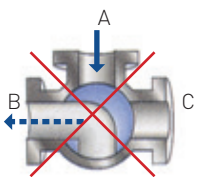
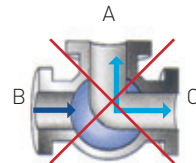
- A, B, C indicate the three supply ports.
- Quarter turn and L-port construction allow for the following two flow patterns. (Pattern 1 and Pattern 2)



PATTERN 1



PATTERN 2



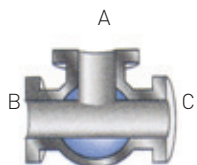
PATTERN 3

- Pattern 1 and Pattern 2 are standard flow directions for L-port valve.
- Arrows \rightarrow indicate pressure higher than 0 MPa. For vacuum use please inquire separately.
- Straight flow from B to C and C to B is not possible. (The operation rotates 90°.)
- Crossed out \times forms cannot be used.
- Leakage occurs on the flow channel side if the pressure of arrow \rightarrow is higher than the flow channel \rightarrow side.

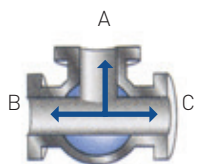
NOTES:

1. As for 2-seats (NB), Shut-off function is not available at the center port (A) because the seat is not installed there. Please pay attention to the direction of the flow channel when using it. In Pattern 3, the fluid pass through both flow channel A to B and B to A.
2. Please consult us for 4-seats ASME Class 300 and JIS 20K valves (MB12/MB22)

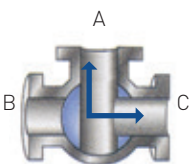
OPERATION FORM T-PORT (MB11, MB21)



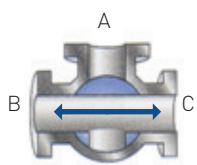
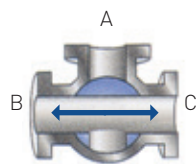
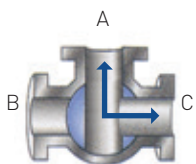
- A, B, C indicate the three supply ports.
- T-port available for below four patterns.



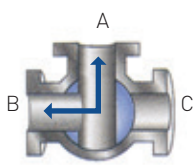
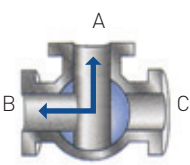
PATTERN 1



PATTERN 2



PATTERN 3



PATTERN 4

- Pattern 1 and Pattern 2 are standard flow directions for a 4-seat (T-port) valve.
- Arrows \rightarrow indicate pressure higher than 0 MPa. For vacuum use please inquire separately.
- Crossed out \times forms cannot be used.
- Leakage occurs on the flow channel side if the pressure of arrow \rightarrow is higher than the flow channel \rightarrow side.

NOTE:

Please consult us for 4-seats ASME Class 300 and JIS 20K valves (MB12/MB22)

KTM MODEL NB / MB THREE-WAY BALL VALVES

2-SEATS (L-PORT) AND 4-SEATS (L AND T-PORT)

SELECTION GUIDE

Example		NB11				L	32	IE	A15	RF	25	GG
Valve code	ASME	JIS	Description									
NB11	150	10K	FB, DN 40 - 200									
NB12	300	20K	FB, DN 40 - 200									
NB21	150	10K	RB, DN 125 - 250									
NB22	300	20K	RB, DN 125 - 250									
MB11	150	10K	FB, DN 15 - 300									
MB12	300	20K	FB, DN 15 - 200									
MB21	150	10K	RB, DN 125 - 200									
MB22	300	20K	RB, DN 150 - 200									
Sub code	Description											
Blank	Soft seat											
G	Gratite seat											
Special feature	Description											
L	L-port											
T	T-port (For 4-seats only)											
Body code	ASME	JIS										
31	CF8	SCS13A										
32	CF8M	SCS14A										
62	WCB	SCPH2										
Trim code	Description											
Soft seat	ASME Ball	JIS Ball	Seat	Packing	Stem							
1E	CF8 ⁽¹⁾ / CF8M ⁽²⁾	SCS13A ⁽¹⁾ / SCS14A ⁽²⁾	PTFE/PFA Copolymer	PTFE	304 ⁽¹⁾ / 316 ⁽²⁾							
5E ⁽¹⁾	CF8M	SCS14A	PTFE/PFA Copolymer	PTFE	316							
Gratite seat												
CC	CF8 ⁽¹⁾ / CF8M ⁽²⁾	SCS13A ⁽¹⁾ / SCS14A ⁽²⁾		Graphite	329J1							
Flange code	Description											
ASME	Description	JIS	Description									
A15	ASME Class 150	J10	JIS 10K									
A30	ASME Class 300	J20	JIS 20K									
Connection code	Description											
Code	Description											
RF	Raised face [125 to 250 AARH]											
Size code	Description											
Code	15	20	25	40	50	65	80	100	125	150	200	250
DN	15	20	25	40	50	65	80	100	125	150	200	250
NPS	1/2	3/4	1	1 1/2	2	2 1/2	3	4	5	6	8	10
Option code	Description											
Code	Description											
Blank	No additional option											
GG	Graphite packing and gasket											

NOTES:

FB = Full bore

RB = Reduced bore

1. Body code 31 and 62

2. For body code 32 only

Please consult us for 4 seats ASME Class 300 valves [MB12 and MB22]



PENTAIR VALVES & CONTROLS

www.pentair.com/valves

All Pentair trademarks and logos are owned by Pentair Ltd. All other brand or product names are trademarks or registered marks of their respective owners.

Because we are continuously improving our products and services, Pentair reserves the right to change product designs and specifications without notice.

Pentair is an equal opportunity employer. © 2012 Pentair Ltd. All rights reserved.