

## AVID K-SWITCH POSITION MONITOR FLAMEPROOF

The K-Switch is a flameproof quarter turn position indicator approved for use in hazardous areas



### FEATURES

- The position indicator features a high integrity, easily removable enclosure cover. The threaded aluminium cover and housing are iridized and coated with a black polyester to provide maximum protection against severe environments.
- Vibration resistant EasiFix Cams provide for easy switch adjustments.
- The enclosed mechanical or proximity switches are prewired to the terminal strip for ease of field wiring connection.
- Dual 3/4" NPT conduit entries.
- ModMount mounting pattern is suitable for direct mounting on Keystone or Premier/ MRP actuators.
- The K-Switch design incorporates an adjustable easy to read, reflective indicator which provides positive visual position indication at distances up to 30 m (100ft).
- Easily adaptable to other quarter-turn actuators utilizing the Namur standards.

### SWITCHES

- 2 or 4 SPDT V3 mechanical switches
- 2 or 4 inductive proximity sensors (NAMUR)
- Two 3-wire DC inductive sensors with LEDs (PNP or NPN)

### GENERAL APPLICATION

Provides a 'flameproof' enclosure for position indication and circuit switching in hazardous areas.

The aluminum enclosure and corrosion resistant coatings make the K-Switch an ideal choice to be used in arduous environments.

### TECHNICAL DATA

Temperature range:  
-25°C to 85°C / -13°F to 185°F  
-20°C to 40°C / -4°F to 104°F (certified)

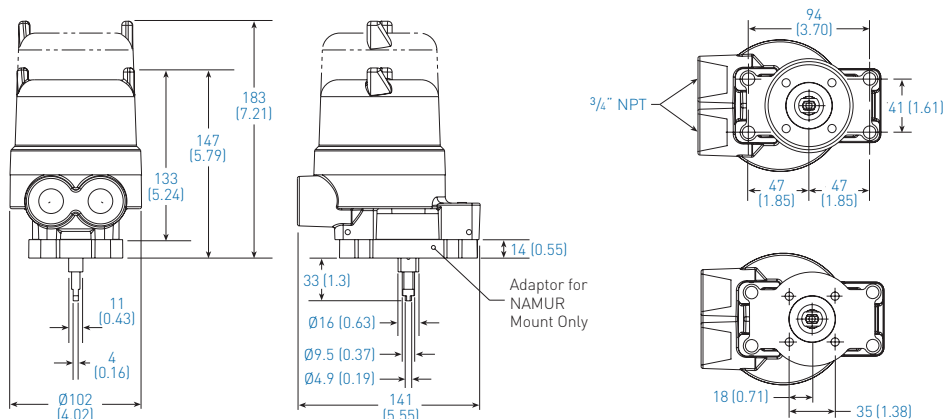
Agency approvals  
Area classification (ATEX/IEC)  
Ex II 2 G D  
Ex d IIC T6 Gb  
Ex tD A21 IP6X  
Ex tb III CT 85°C Db  
Enclosure protection  
IEC: IP66/67  
ANSI/NEMA 250: Type 4, 4X

Enclosure: Aluminum

# AVID K-SWITCH POSITION MONITOR

## FLAMEPROOF

### ENCLOSURE DIMENSIONS



### NOTE

Dimension in mm, imperial dimensions (inches) in parenthesis

Technical specifications	
Enclosure material:	Powder coated aluminium
Conduit entries:	Two conduit entries 3/4" NPT
Terminal strip	10/12 points
Temperature range:	-25°C to +85°C / -13°F to +185°F -20°C to +40°C / -4°F to +104°F (certified)
Switch options	Two SPDT V3 mechanical switches Two Inductive proximity sensors NAMUR Two 3-wire DC inductive sensors with LEDES (PNP or NPN)
Switch/Sensor ratings	SPDT V3 mechanical switches
Electrical version	SPDT Form C normally closed
Electrical rating	15 A @ 125 or 250 V AC 0.5 A @ 125 V DC 0.25 A @ 250 V DC
Inductive proximity sensors (NAMUR)	
Nominal voltage	8 V DC
Output load current	< 1 mA (cam trigger present) > 3 mA (cam trigger absent) 15 mA maximum
3-Wire DC inductive proximity sensors with LEDES (PNP/NPN)	
Supply voltage	10 - 60 V DC
Output load current	200 mA max
Leakage current	≤ 10uA
Voltage drop	< 2 V DC
Current consumption	15 mA



# AVID K-SWITCH POSITION MONITOR

## FLAMEPROOF

### SELECTION GUIDE

#### Base Model

KS- Flameproof position monitor

#### Application

- 0 Standard
- C CS Position transmitter
- P Feedback Potentiometer

#### Conduit options

- F Two 3/4" NPT

#### Number of switches

- 1 1 switch
- 2 2 switches
- 3 3 switches
- 4 4 switches"

#### Switch options

- 01 V3 SPDT mechanical switch
- 02 T SPDT proximity switch
- 03 P&F NJ2-V3-N"

#### Terminal Strip

- D 10 point
- E 12 point

#### Bracket type (mounting style)

- X Universal mounting studs / imperial and metric SS fittings

#### Solenoid

- 00 No solenoid fitted

#### Special features

- 00 No special features
- BH High cover (required with 4 switches)

#### Certification

- A ATEX certification
- I IECex certification"

#### Revision

- R\* Revision number

KS- 0 F 2 01 D X 00 -00 -A R1 = Model Number **KS-0F201DX00-00-AR1**