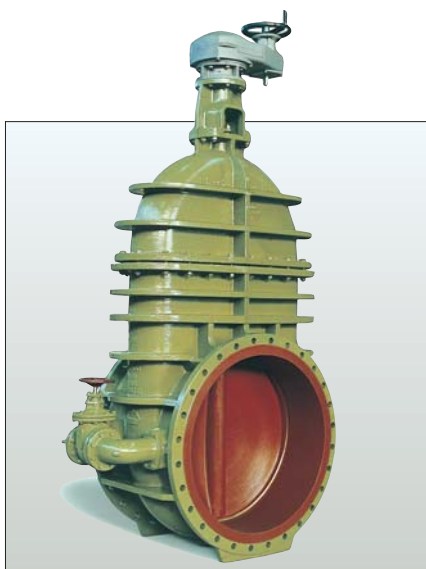


The reliable gate valves for the water treatment industry and industrial applications

Features

- Wedge type
- Full bore opening
- High quality gate finish for optimum sealing
- Metal to metal seats
- High reliability
- Very low maintenance
- Drop tight shut off
- Tailor made to customer request
- Suitable for manual operators as well as electric, pneumatic and hydraulic actuators
- A range of seat ring options available
- Bypass valve optional

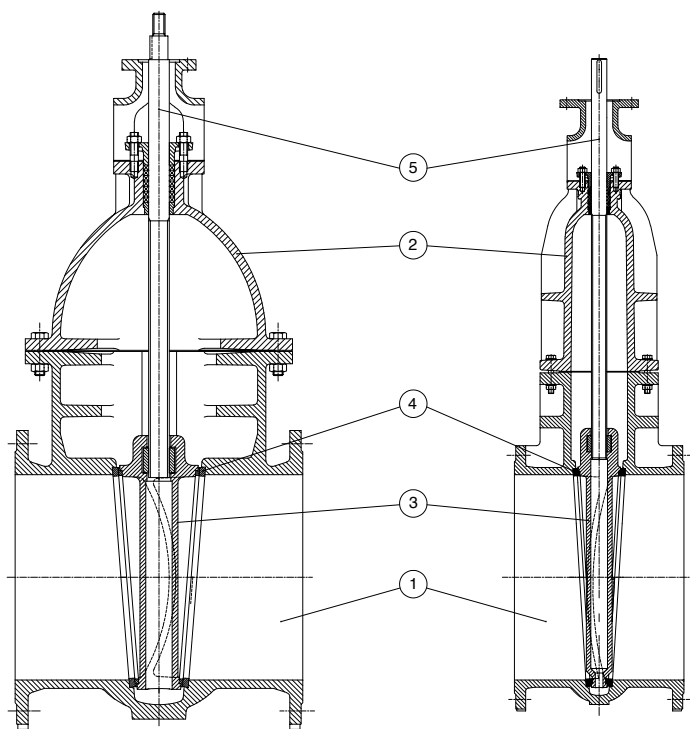


General applications

Suitable for waterworks, sewerage systems, steam applications and gases.

Technical data

| | |
|-----------------------|--|
| Pressure (bar) | : 2.5/4/6/10/16 |
| Temperature (°C) | : max. 150 |
| Sizes (mm) | : 40 - 2000 (larger sizes on request) |
| Flange accommodation: | to BS / ISO / DIN / ANSI / JIS / etc. |



Materials

| | |
|---|--|
| Body | Ductile cast iron ASTM A536 / DIN 1693 / BS 2789 |
| Bonnet | Ductile cast iron ASTM A536 / DIN 1693 / BS 2789 |
| Wedge | Ductile cast iron ASTM A536 / DIN 1693 / BS 2789 |
| Seat rings | Brass, naval brass, gunmetal, stainless steel, bronze |
| Spindle | Brass, naval brass, gunmetal, aluminum bronze, stainless steel |
| Other materials (e.g. cast steel, ni-resist or other alloys) on request | |

Parts list

| Part | name |
|------|------------|
| 1 | Body |
| 2 | Bonnet |
| 3 | Wedge |
| 4 | Seat rings |
| 5 | Spindle |

Face-to-face length and pressure ratings

| Diameter [mm] | Flat Body type LAW (RGL) face-to-face 0,4D+150 | | Flat body type ELAW (RGE) face-to-face | | Oval body type HAW (RGH) face-to-face D+200 | |
|------------------|--|-----|---|----|---|-----|
| | ISO / DIN | PN | BS | PN | ISO / DIN | PN |
| | 40 | 140 | 10 | | | 240 |
| 50 | 150 | 10 | | | 250 | 16 |
| 65** | 170 | 10 | | | | |
| 80 | 180 | 10 | | | 280 | 16 |
| 100 | 190 | 10 | 229 | 16 | 300 | 16 |
| 125 | 200 | 10 | 254 | 16 | 325 | 16 |
| 150 | 210 | 10 | 267 | 16 | 350 | 16 |
| 200 | 230 | 6 | 292 | 16 | 400 | 16 |
| 250 | 250 | 6 | 330 | 16 | 450 | 16 |
| 300 | 270 | 6 | 356 | 16 | 500 | 16 |
| 350 | 290 | 4 | 381 | 16 | 550 | 16 |
| 400 | 310 | 4 | 406 | 16 | 600 | 16 |
| 450 | 330 | 4 | | | 650 | 16 |
| 500 | 350 | 4 | 457 | 16 | 700 | 16 |
| 600 | 390 | 2.5 | 508 | 16 | 800 | 16 |
| 700 | 430 | 10 | 610 | 16 | 900 | 16 |
| 800 | 470 | 10 | 660 | 16 | 1000 | 16 |
| 900 | 510 | 10 | 711 | 16 | 1100 | 16 |
| 1000 | 550 | 10 | 811 | 16 | 1200 | 16 |
| 1100 | 590 | 6 | | | 1400* | 16 |
| 1200 | 630 | 6 | 820 | 10 | 1400 | 16 |
| 1350 | | | | | 1600* | 10 |
| 1400 | 710 | 4 | | | 1600 | 10 |
| 1500 | | | | | 1700 | 10 |
| 1550 | | | | | 1700* | 10 |
| 1600 | 790 | 4 | | | 1700* | 10 |
| 1800 | 870 | 2.5 | | | 1700* | 10 |
| 2000 | 1200* | 10 | | | 1700* | 10 |

Configurations

- Inside screw, non-rising spindle
- Outside screw, rising spindle
- Metal-to-metal seating
- Stuffing box and gland spindle seal
- O-ring spindle seal
- With/without gear box
- With/without by-pass
- Manual/electric/hydraulic/pneumatic operation
- Special construction for horizontal installation available

Note

- * special face-to-face
- ** on request