



Series 6000 ASME Section I and VIII, Steam, 'V' and 'UV', ASME Section VIII, Air/Gas 'UV' National Board Certified.

Features and Benefits

- O-ring seats available for exceptional leak-free performance, reduced maintenance cost, multiple cycles with tight shutoff, improved seating integrity.
- Wide hex on valve nozzle provides wrenching service clearance for easy installation.
- Dual control rings offer easy adjustability for precise opening with minimum preopen or simmer and exact blowdown control.
- Ball bearing pivot between disc and spring corrects misalignment and compensates for spring side thrust.
- Grooved piston model disc reduces sliding area and friction.

Applications

- Steam Boilers and Generators.
- Air/Gas Compressors - reciprocating or rotary - portable or stationary, intercoolers and aftercoolers.
- Pressure Vessels - containing steam, air or non-hazardous gas. Including tanks, receivers, sterilizers and autoclaves.
- Pressure Reducing Stations - protection of the discharge or low pressure side of system.

Pressure and Temperature Limits

- **Models 6010, 6021, 6182, 6283, 6221**

Section I Steam

15 to 250 psig [1.0 to 17.2 barg]
-60° to 406°F [-51° to 208°C]

- **Non-code and Section VIII Steam Air/Gas**

3 to 250 psig [0.2 to 17.2 barg]
-60° to 406°F [-51° to 208°C]

- **Models 6030, 6130, 6230 Section I Steam**

15 to 300 psig [1.0 to 20.7 barg]
-60° to 425°F [-51° to 208°C]

- **Non-code and Section VIII Steam Air/Gas**

3 to 300 psig [0.2 to 20.7 barg]
-60° to 425°F [-51° to 218°C]

Model Descriptions

Model 6010: Side outlet. Full nozzle design with bronze/brass trim. Available with O-ring seats. For exceptional leakfree performance.

Model 6021: Same as Model 6010 with Teflon® (PFA) disc insert. For exceptional leak-free performance (use on steam only).

Model 6030: Same as Model 6010 except SS trim (nozzle and disc).

Available with O-ring seats for exceptional leak-free performance. differential pressure is required for tight closure, and 7 psi when a softseat is fitted



Model 6010

Model 6182: Top outlet. Full nozzle design with bronze/brass trim. O-ring seat available for exceptional leak-free performance.

Model 6121: Same as Model 6182 with Teflon® (PFA) disc insert. For exceptional non-leak performance (use on steam only).

Model 6130: Same as Model 6182 except SS trim (nozzle and disc). O-ring seat available for exceptional leak-free performance.

Model 6186: Top outlet. Full nozzle design with bronze/brass trim. 150 psig [10.3 barg] maximum set pressure. Replaces Model 86 (original equipment only).

Model 6283: Side outlet. Full nozzle design bronze/brass trim.

Model 6221: Same as Model 6283 with Teflon® (PFA) disc insert. For exceptional leak-free performance (use on steam only).

Model 6230: Same as Model 6283 except SS trim (nozzle and disc).

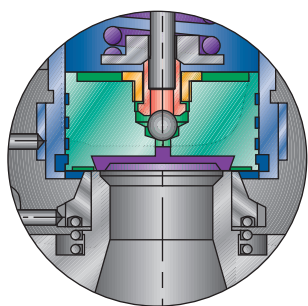
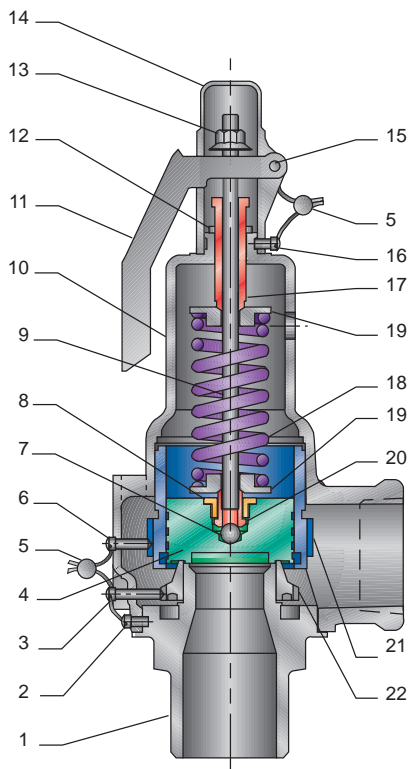
Model 6933: Same as Model 6010 except certified for ASME code Section IV. Low pressure steam heating boilers set at 15 psig [1.0 barg] only.

Model 6934: Same as Model 6021 except certified for ASME code Section IV. Low pressure steam heating boilers set at 15 psig [1.0 barg] only.

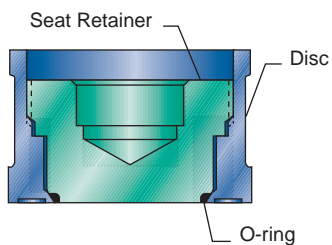
Model 6935: Same as Model 6030 except certified for ASME code Section IV. Low pressure steam heating boilers set at 15 psig [1.0 barg] only.

Note: resilient seats determine temperature range.

Series 6000 and Models 6933-6935 ASME Section I and VIII,
Steam, ASME Section VIII, Air/Gas, National Board Certified



Models 6021, 6121, 6221



Model 6010V (Optional Soft Seat)

Parts and Materials - Models 6010, 6021, 6030, 6221, 6230, 6283, 6933, 6934, 6935

| No. | Part Name | Materials 6010, 6021, 6221, 6283, 6933, 6934 | Materials 6030, 6230, 6935 |
|-----|---------------------|--|-------------------------------|
| 1 | Nozzle | Bronze | SS |
| 2 | Body Set Screw | SS | SS |
| 3 | Warn Ring Set Screw | SS | SS |
| 4 | Disc | B21 Alloy 485, | SS |
| 5 | Wire and Seal | SS Wire and Lead seal | SS/Lead |
| 6 | Guide Set Screw | SS | SS |
| 7 | Ball | SS, A756-440C | SS |
| 8 | Retainer Nut | Brass, B16 | Brass |
| 9 | Stem | SS, A582-416 | SS |
| 10 | Body | Bronze | Bronze |
| 11 | Lever | Steel | Steel |
| 12 | Jam Nut | Brass, B16 | Brass |
| 13 | Lift Nut | Steel | Steel |
| 14 | Cap | Brass | Brass |
| 15 | Lever Pin | Steel | Steel |
| 16 | Cap Set Screw | SS, Commercial 18-8 | SS |
| 17 | Compression Screw | Brass, B16 | Brass |
| 18 | Spring | SS | SS |
| 19 | Spring Step | Brass, B16 | Brass |
| 20 | Stem Retainer | Brass, B16 | Brass |
| 21 | Guide | Brass/Bronze | Brass/Bronze |
| 22 | Warn Ring | Brass/Bronze | Brass/Bronze |
| 23 | Seat ¹ | 1, 2 | 1, 2 |

Note

- Models 6021, 6121, 6221 and 6934
Teflon®, optional O-ring seat available for
all others except Models 6933 and 6935.

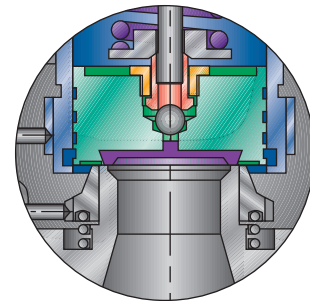
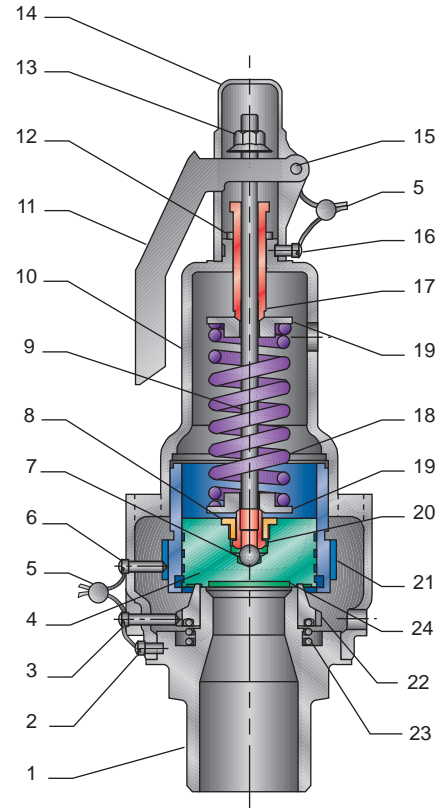
Series 6000 ASME Section I and VIII, Steam, ASME Section VIII,
Air/Gas, National Board Certified

Parts and Materials - Models 6121, 6130, 6182, 6186

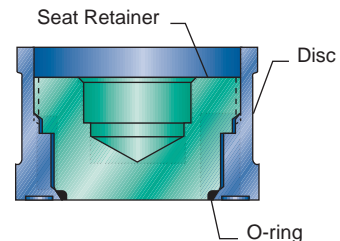
| No. | Part Name | 6121, 6182, 6186 | 6130 |
|-----|-------------------------------|--------------------------|--------------------------|
| 1 | Nozzle | Bronze | SS |
| 2 | Body Screw | Steel | Steel |
| 3 | Warn Ring Set Screw | Steel | Steel |
| 4 | Disc | Brass, B21 Alloy 485 | SS |
| 5 | Wire and Seal | SS Wire and Lead seal | SS Wire and Lead seal |
| 6 | Guide Set Screw | Steel | Steel |
| 7 | Ball | SS | SS |
| 8 | Retainer Nut | Brass, B16 | Brass, B16 |
| 9 | Stem | SS | SS |
| 10 | Body | Bronze, B584 Alloy 84400 | Bronze, B584 Alloy 84400 |
| 11 | Lever | Steel | Steel |
| 12 | Jam Nut | Brass | Brass |
| 13 | Lift Nut | Steel | Steel |
| 14 | Cap | Brass | Brass |
| 15 | Rivet | Steel | Steel |
| 16 | Cap Screw | Steel | Steel |
| 17 | Compression Screw | Brass | Brass |
| 18 | Spring | SS, A313-631 | SS, A313-631 |
| 19 | Spring Step | Brass, B16 | Brass, B16 |
| 20 | Stem Retainer | Brass, B16 | Brass, B16 |
| 21 | Guide | Brass/Bronze | Brass/Bronze |
| 22 | Warn Ring | Brass/Bronze | Brass/Bronze |
| 23 | Warn Ring Spring ¹ | SS | SS |
| 24 | Seat ² | 2 | 2 |

Notes

- Item 23 available as an option.
- Item 24 is Teflon® for Model 6121. Optional Viton® O-ring seat available on Models 6182, 6186, and 6130.



Model 6121



Model 6010V (Optional Soft Seat)

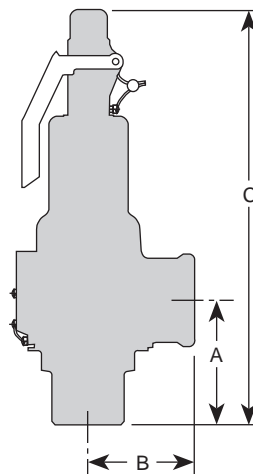
Series 6000 and Models 6933-6935 ASME Section I and VIII, Steam, ASME Section VIII, Air/Gas
National Board Certified. Models 6933-6935 is ASME Section IV, 'Steam,' National Board Certified

Specifications

| Model Number ¹ | Orifice | Connections ANSI Standard | | Valve Dimensions in [mm] | | | Approximate Weight | |
|---------------------------|---------|---------------------------|----------------|--------------------------|------------|--------------|--------------------|-------|
| | | Inlet in [mm] | Outlet in [mm] | A | B | C | lb | [kg] |
| 60**DC# | D | 1/2" [12.7] | 3/4" [19.0] | 2 1/8 [54] | 1 5/8 [41] | 6 1/2 [165] | 1 1/2 | [0.7] |
| 60**DD# | D | 3/4" [19.0] | 3/4" [19.0] | 2 1/8 [54] | 1 5/8 [41] | 6 1/2 [165] | 1 3/4 | [0.8] |
| 61**DC# | D | 1/2" [12.7] | — | — | — | 6 1/2 [165] | 1 1/4 | [0.6] |
| 60**ED# | E | 3/4" [19.0] | 1" [25.4] | 2 3/8 [60] | 1 3/4 [44] | 7 1/2 [191] | 2 1/2 | [1.1] |
| 60**EE# | E | 1" [25.4] | 1" [25.4] | 2 1/2 [64] | 1 3/4 [44] | 7 5/8 [194] | 2 3/4 | [1.2] |
| 61**ED# | E | 3/4" [19.0] | — | — | — | 7 1/2 [191] | 2 1/4 | [1.0] |
| 62**ED# | E | 3/4" [19.0] | 1 1/4" [31.75] | 2 7/8 [73] | 1 3/4 [44] | 7 1/2 [191] | 2 3/4 | [1.2] |
| 60**FE# | F | 1" [25.4] | 1 1/4" [31.8] | 2 5/8 [67] | 2 [51] | 8 1/2 [216] | 3 1/2 | [1.6] |
| 60**FF# | F | 1 1/4" [31.8] | 1 1/4" [31.8] | 2 7/8 [73] | 2 [51] | 8 3/4 [222] | 3 3/4 | [1.7] |
| 61**FE# | F | 1" [25.4] | — | — | — | 8 1/2 [222] | 3 1/4 | [1.5] |
| 62**FE# | F | 1" [25.4] | 1 1/2" [38.0] | 2 7/8 [73] | 2 [51] | 8 1/2 [222] | 3 3/4 | [1.7] |
| 60**GF# | G | 1 1/4" [31.8] | 1 1/2" [38.0] | 3 1/8 [79] | 2 3/8 [60] | 9 5/8 [244] | 5 1/2 | [2.5] |
| 60**GG# | G | 1 1/2" [38.0] | 1 1/2" [38.0] | 3 3/8 [86] | 2 3/8 [60] | 10 [254] | 5 3/4 | [2.6] |
| 61**GF# | G | 1 1/4" [31.8] | — | — | — | 9 5/8 [244] | 5 | [2.3] |
| 62**GF# | G | 1 1/4" [31.8] | 2" [51.0] | 3 3/8 [86] | 2 1/4 [57] | 9 5/8 [244] | 5 3/4 | [2.6] |
| 60**HG# | H | 1 1/2" [38.0] | 2" [51.0] | 3 5/8 [92] | 2 3/4 [70] | 10 5/8 [270] | 7 3/4 | [3.5] |
| 60**HH# | H | 2" [51.0] | 2" [51.0] | 4 1/8 [105] | 2 3/4 [70] | 11 1/8 [283] | 8 | [3.6] |
| 61**HG# | H | 1 1/2" [38.0] | — | — | — | 10 5/8 [270] | 7 1/4 | [3.3] |
| 62**HG# | H | 1 1/2" [38.0] | 2 1/2" [64.0] | 3 7/8 [98] | 3 [76] | 10 5/8 [270] | 8 | [3.6] |
| 60**JH# | J | 2" [51.0] | 2 1/2" [64.0] | 4 1/4 [108] | 3 3/8 [86] | 13 5/8 [346] | 15 1/2 | [7.0] |
| 60**JJ# | J | 2 1/2" [64.0] | 2 1/2" [64.0] | 4 1/2 [114] | 3 3/8 [86] | 14 [356] | 15 3/4 | [7.2] |
| 61**JH# | J | 2" [51.0] | — | — | — | 13 5/8 [346] | 15 | [6.8] |
| 62**JH# | J | 2" [51.0] | 3" [76.0] | 4 5/8 [117] | 3 3/8 [86] | 13 5/8 [345] | 15 1/2 | [7.0] |

Notes

1. Replace asterisks with desired model number. Replace # with desired seat material.
2. Model 6030 available only 1/2 x 3/4-inch [12.7 x 19 mm], 3/4 x 1-inch [19 x 25.4 mm], 1 x 1 1/4-inch [25.4 x 31.8 mm], 1 1/4 x 1 1/2-inch [31.8 x 38 mm], 1 1/2 x 2-inch [38 x 51 mm] and 2 x 2 1/2-inch [51 x 64 mm].
3. Models 933, 934 and 935 have same dimensions as Model 6010.



Series 6000

Note

1. No code stamp or 'NB' on nameplate below 1.0 barg set.

Non-code¹ and ASME Section VIII Air [Metric, Nm³/h]

| Set Pressure [barg] | Orifice Area, cm ² | | | | | |
|------------------------|-------------------------------|--------------|--------------|--------------|--------------|--------------|
| | D [0.781] | E [1.394] | F [2.180] | G [3.574] | H [5.567] | J [9.123] |
| 0.2 | 45 | 81 | 126 | 207 | 322 | 528 |
| 0.3 | 55 | 98 | 154 | 252 | 393 | 644 |
| 0.4 | 63 | 113 | 177 | 290 | 452 | 740 |
| 0.6 | 77 | 138 | 215 | 353 | 549 | 900 |
| 1.0 | 104 | 180 | 281 | 461 | 718 | 1177 |
| 1.5 | 123 | 220 | 345 | 565 | 880 | 1443 |
| 2.0 | 146 | 261 | 408 | 669 | 1042 | 1708 |
| 2.5 | 171 | 305 | 477 | 782 | 1218 | 1996 |
| 3.0 | 196 | 350 | 547 | 896 | 1396 | 2288 |
| 3.5 | 221 | 394 | 616 | 1011 | 1574 | 2579 |
| 4.0 | 246 | 439 | 686 | 1125 | 1752 | 2871 |
| 4.5 | 271 | 483 | 756 | 1239 | 1930 | 3163 |
| 5.0 | 296 | 528 | 826 | 1353 | 2108 | 3455 |
| 5.5 | 321 | 572 | 895 | 1468 | 2286 | 3746 |
| 6.0 | 346 | 617 | 965 | 1582 | 2464 | 4038 |
| 6.5 | 371 | 662 | 1035 | 1696 | 2642 | 4330 |
| 7.0 | 396 | 706 | 1104 | 1811 | 2820 | 4622 |
| 7.5 | 421 | 751 | 1174 | 1925 | 2998 | 4913 |
| 8.0 | 446 | 795 | 1244 | 2039 | 3176 | 5205 |
| 8.5 | 471 | 840 | 1313 | 2153 | 3354 | 5497 |
| 9.0 | 496 | 884 | 1383 | 2268 | 3532 | 5788 |
| 9.5 | 521 | 929 | 1453 | 2382 | 3710 | 6080 |
| 10.0 | 545 | 974 | 1523 | 2496 | 3888 | 6372 |
| 10.5 | 570 | 1018 | 1592 | 2611 | 4066 | 6664 |
| 11.0 | 595 | 1063 | 1662 | 2725 | 4244 | 6955 |
| 11.5 | 620 | 1107 | 1732 | 2839 | 4422 | 7247 |
| 12.0 | 645 | 1152 | 1801 | 2953 | 4600 | 7539 |
| 12.5 | 670 | 1197 | 1871 | 3068 | 4778 | 7831 |
| 13.0 | 695 | 1241 | 1941 | 3182 | 4956 | 8122 |
| 13.5 | 720 | 1286 | 2011 | 3296 | 5134 | 8414 |
| 14.0 | 745 | 1330 | 2080 | 3411 | 5312 | 8706 |
| 14.5 | 770 | 1375 | 2150 | 3525 | 5490 | 8997 |
| 15.0 | 795 | 1419 | 2220 | 3639 | 5668 | 9289 |
| 16.0 | 845 | 1509 | 2359 | 3868 | 6024 | 9873 |
| 17.0 | 895 | 1598 | 2499 | 4096 | 6381 | 10456 |
| 18.0 | 945 | 1687 | 2638 | 4325 | 6737 | 11040 |
| 19.0 | 995 | 1776 | 2777 | 4553 | 7093 | 11623 |
| 20.0 | 1045 | 1865 | 2917 | 4782 | 7449 | 12207 |

Series 6000

Note

1. No code stamp or 'NB' on nameplate below 1.1 barg set.

Non-code¹ and ASME Section VIII Steam [Metric, kg/h]

| Set Pressure [barg] | Orifice Area, cm ² | | | | | |
|------------------------|-------------------------------|--------------|--------------|--------------|--------------|--------------|
| | D [0.781] | E [1.394] | F [2.180] | G [3.574] | H [5.567] | J [9.123] |
| 0.2 | 39 | 69 | 108 | 177 | 276 | 453 |
| 0.3 | 47 | 84 | 131 | 215 | 335 | 549 |
| 0.4 | 54 | 96 | 150 | 246 | 383 | 628 |
| 0.6 | 65 | 115 | 181 | 296 | 461 | 756 |
| 1.0 | 81 | 144 | 226 | 370 | 576 | 944 |
| 1.5 | 98 | 175 | 273 | 448 | 698 | 1144 |
| 2.0 | 116 | 207 | 324 | 530 | 826 | 1354 |
| 2.5 | 135 | 242 | 378 | 620 | 966 | 1582 |
| 3.0 | 155 | 277 | 433 | 711 | 1107 | 1814 |
| 3.5 | 175 | 312 | 489 | 801 | 1248 | 2045 |
| 4.0 | 195 | 348 | 544 | 892 | 1389 | 2276 |
| 4.5 | 215 | 383 | 599 | 982 | 1530 | 2508 |
| 5.0 | 234 | 419 | 654 | 1073 | 1671 | 2739 |
| 5.5 | 254 | 454 | 710 | 1164 | 1812 | 2970 |
| 6.0 | 274 | 489 | 765 | 1254 | 1954 | 3201 |
| 6.5 | 294 | 525 | 820 | 1345 | 2095 | 3433 |
| 7.0 | 314 | 560 | 876 | 1435 | 2236 | 3664 |
| 7.5 | 333 | 595 | 931 | 1526 | 2377 | 3895 |
| 8.0 | 353 | 631 | 986 | 1617 | 2518 | 4127 |
| 8.5 | 373 | 666 | 1041 | 1707 | 2659 | 4358 |
| 9.0 | 393 | 701 | 1097 | 1798 | 2800 | 4589 |
| 9.5 | 413 | 737 | 1152 | 1888 | 2942 | 4820 |
| 10.0 | 432 | 772 | 1207 | 1979 | 3083 | 5052 |
| 10.5 | 452 | 807 | 1262 | 2070 | 3224 | 5283 |
| 11.0 | 472 | 843 | 1318 | 2160 | 3365 | 5514 |
| 11.5 | 492 | 878 | 1373 | 2251 | 3506 | 5746 |
| 12.0 | 512 | 913 | 1428 | 2341 | 3647 | 5977 |
| 12.5 | 531 | 949 | 1483 | 2432 | 3788 | 6208 |
| 13.0 | 551 | 984 | 1539 | 2523 | 3929 | 6439 |
| 13.5 | 571 | 1019 | 1594 | 2613 | 4071 | 6671 |
| 14.0 | 591 | 1055 | 1649 | 2704 | 4212 | 6902 |
| 14.5 | 611 | 1090 | 1705 | 2795 | 4353 | 7133 |
| 15.0 | 630 | 1125 | 1760 | 2885 | 4494 | 7365 |
| 16.0 | 670 | 1196 | 1870 | 3066 | 4776 | 7827 |
| 17.0 | 710 | 1267 | 1981 | 3248 | 5059 | 8290 |
| 18.0 | 749 | 1337 | 2091 | 3429 | 5341 | 8752 |
| 19.0 | 789 | 1408 | 2202 | 3610 | 5623 | 9215 |
| 20.0 | 829 | 1479 | 2313 | 3791 | 5905 | 9678 |

Series 6000

ASME Section I Steam [Metric, kg/h]

| Set Pressure [barg] | Orifice Area, cm ² | | | | | |
|------------------------|-------------------------------|--------------|--------------|--------------|--------------|--------------|
| | D [0.781] | E [1.394] | F [2.180] | G [3.574] | H [5.567] | J [9.123] |
| 1.5 | 95 | 170 | 266 | 436 | 680 | 1114 |
| 2.0 | 113 | 202 | 316 | 519 | 808 | 1324 |
| 2.5 | 131 | 234 | 367 | 601 | 936 | 1534 |
| 3.0 | 149 | 266 | 417 | 683 | 1064 | 1744 |
| 3.5 | 167 | 299 | 467 | 765 | 1192 | 1954 |
| 4.0 | 185 | 331 | 517 | 848 | 1320 | 2164 |
| 4.5 | 203 | 363 | 567 | 930 | 1449 | 2374 |
| 5.0 | 222 | 396 | 619 | 1014 | 1580 | 2589 |
| 5.5 | 240 | 429 | 670 | 1099 | 1712 | 2806 |
| 6.0 | 259 | 462 | 722 | 1184 | 1844 | 3022 |
| 6.5 | 277 | 495 | 774 | 1269 | 1976 | 3238 |
| 7.0 | 296 | 528 | 826 | 1353 | 2108 | 3455 |
| 7.5 | 314 | 561 | 877 | 1438 | 2240 | 3671 |
| 8.0 | 333 | 594 | 929 | 1523 | 2372 | 3887 |
| 8.5 | 351 | 627 | 981 | 1608 | 2504 | 4104 |
| 9.0 | 370 | 660 | 1032 | 1692 | 2636 | 4320 |
| 9.5 | 388 | 693 | 1084 | 1777 | 2768 | 4537 |
| 10.0 | 407 | 726 | 1136 | 1862 | 2900 | 4753 |
| 10.5 | 425 | 759 | 1187 | 1947 | 3032 | 4969 |
| 11.0 | 444 | 792 | 1239 | 2031 | 3164 | 5186 |
| 11.5 | 462 | 825 | 1291 | 2116 | 3296 | 5402 |
| 12.0 | 481 | 858 | 1343 | 2201 | 3428 | 5618 |
| 12.5 | 499 | 892 | 1394 | 2286 | 3560 | 5835 |
| 13.0 | 518 | 925 | 1446 | 2371 | 3692 | 6051 |
| 13.5 | 537 | 958 | 1498 | 2455 | 3824 | 6267 |
| 14.0 | 555 | 991 | 1549 | 2540 | 3957 | 6484 |
| 14.5 | 574 | 1024 | 1601 | 2625 | 4089 | 6700 |
| 15.0 | 592 | 1057 | 1653 | 2710 | 4221 | 6917 |
| 15.5 | 611 | 1090 | 1704 | 2794 | 4353 | 7133 |
| 17.0 | 629 | 1123 | 1756 | 2879 | 4485 | 7349 |
| 17.0 | 666 | 1189 | 1860 | 3049 | 4749 | 7782 |
| 18.0 | 703 | 1255 | 1963 | 3218 | 5013 | 8215 |
| 19.0 | 740 | 1321 | 2066 | 3388 | 5277 | 8647 |
| 20.0 | 777 | 1387 | 2170 | 3557 | 5541 | 9080 |

Models 6933-6935 ASME Section IV, Hot Water, 'HV' National Board Certified

Steam Relieving Capacities - Models 6933, 6934, 6935, Steam Capacity, lb/h [kg/h]

| Set Pressure (psig) [barg] | Orifice, Area in ² [cm ²] | | | | | |
|----------------------------------|--|-----------------------|-----------------------|-----------------------|-----------------------|-----------------------|
| | D 0.121 [0.781] | E 0.216 [1.394] | F 0.338 [2.180] | G 0.554 [3.574] | H 0.863 [5.567] | J 1.414 [9.123] |
| 15 [1.0] | 190 [86] | 338 [153] | 530 [240] | 868 [394] | 1352 [613] | 2215 [1005] |

Series 6000 and Models 6933-6935

Service Recommendations for Resilient Seat/Seal Materials

| Seat/Seal Materials ¹ | Service Recommendation |
|--|--|
| Viton® A (-10 to 406°F) [-23 to 208°C] | Acetone, Air, Amyl Alcohol, Aniline, Benzene, Butane, Carbon Disulphide, Carbon Tetrachloride, Dowtherm 'A' and 'E', Ethyl Chloride, Ethylene, Ethylene Glycol, Ethyl Alcohol, Gasoline, Hexane, Hydrogen Sulphide, Isobutyl Alcohol, JP - 4 Fuel, JP - 5 Fuel, Kerosene, Lube Oil, Natural Gas, Naphtha, Nitrogen, Propane, Propylene, Propyl Alcohol, Sulphur Dioxide, Toluene, Trichloroethylene, Turpentine, Water, Xylene |
| Ethylene Propylene (-70 to 400°F) [-57 to 205°C] | Steam, Hot Water |

ASME Section I and VIII, Steam, ASME Section VIII, Air/Gas National Board Certified.
Models 6930, 6933, 6935 ASME Section IV, National Board Certified

Model Number/Order Guide

Model Number Position

| | | | | | | | | | | | | | | | |
|---|---|---|---|---|---|---|---|---|---|----|----|----|----|----|----|
| 1 | 2 | 3 | 4 | 5 | 6 | 7 | 7 | 8 | 9 | 10 | 11 | 12 | 13 | 14 | 15 |
|---|---|---|---|---|---|---|---|---|---|----|----|----|----|----|----|

Example

| | | | | | | | | | | | | | | | |
|---|---|---|---|---|---|---|---|---|---|---|---|---|---|---|---|
| 6 | 0 | 1 | 0 | H | G | M | 0 | 1 | — | A | M | 0 | 1 | 5 | 0 |
|---|---|---|---|---|---|---|---|---|---|---|---|---|---|---|---|

Model

| | | |
|------|------|------|
| 6010 | 6130 | 6230 |
| 6021 | 6186 | 6933 |
| 6030 | 6283 | 6934 |
| 6182 | 6221 | 6935 |
| 6121 | | |

Orifice

| | |
|---|---|
| D | G |
| E | H |
| F | J |

Inlet Size

| | | | |
|----------------|--------|----------------|--------|
| C - 1/2-inch | [12.7] | G - 1 1/2-inch | [38.1] |
| D - 3/4-inch | [19.0] | H - 2-inch | [50.8] |
| E - 1-inch | [25.4] | J - 2 1/2-inch | [63.5] |
| F - 1 1/4-inch | [31.8] | | |

Seat Material

| | |
|------------|---------|
| M - Metal | E - EPR |
| V - Viton® | |

Variation (01 through 99)

- 01 - Plain lever
- 02 - Plain lever with vibration dampener
- 03 - Plain lever with gag
- 06 - BSP Threads

Design Revision

Indicates non-interchangeable revision. Dash (-) if original design.

Valve Service

- A - Steam ASME Section I
- K - Air/Gas ASME Section VIII
- L - Steam ASME Section VIII
- G - Steam ASME Section IV (Models 933, 934, 935 only)
- P - Steam, Non-code
- N - Air, Non-code

Spring Material

M - SS

Set Pressure

0015 - 15 psig [1.0 barg] only for Models 6933, 6934, 6935