

GACHOT

The GACHOT V501 Gate Valve offer the most possible reliability for process and critical applications

Features

- Construction complies with NF EN 1984
- Straight-through flow and full port
- Cast body (investment casting)
- Double stainless steel gate, perfect tightness
- Non-rotating and rising stem with rolled thread and back seat protecting the stuffing box in position and ensuring the repacking under pressure
- Stem Threading outside of the carried fluid
- Heat treated yoke sleeve (Sulfinuz process) avoiding seizing
- Low pressure drop
- High service reliability
- Perfect tightness in both flow directions
- Easy operation, low operating torque
- Very low carbon content stainless steel
- Excellent corrosion resistance
- Bolted gland and bonnet
- Encapsulated bonnet gasket and everlasting gland packing made of PTFE ensuring a permanent sealing
- Replaceable seats ensuring the interchangeability
- Position Indicator

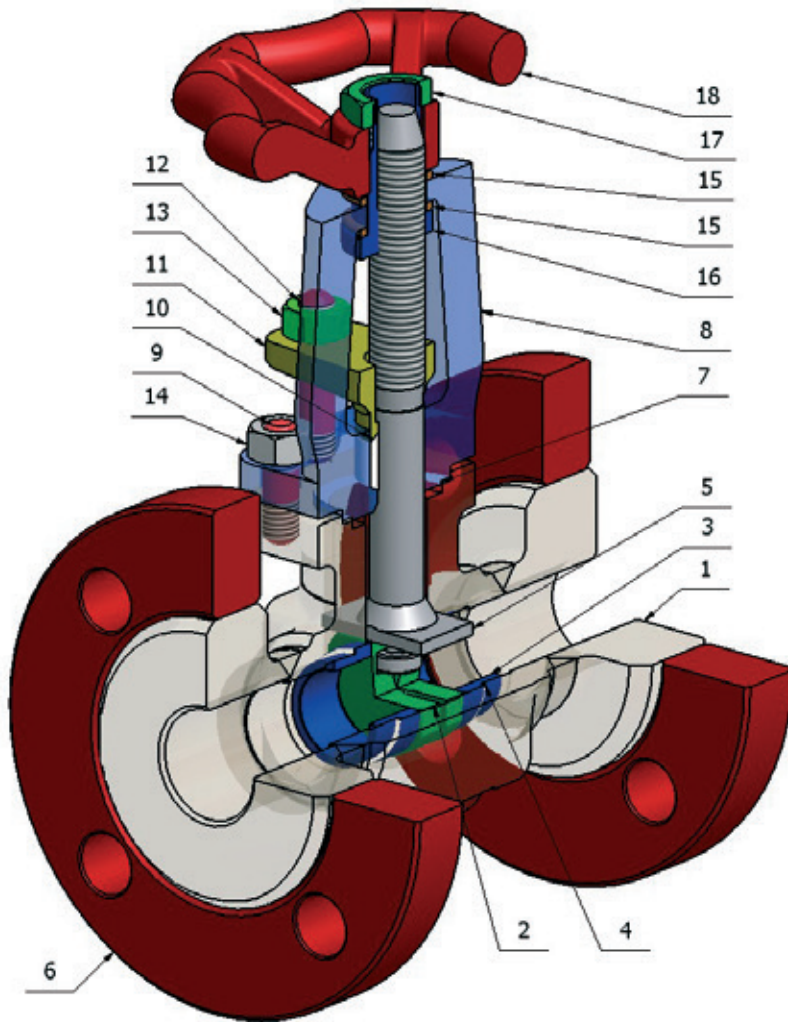


Applications

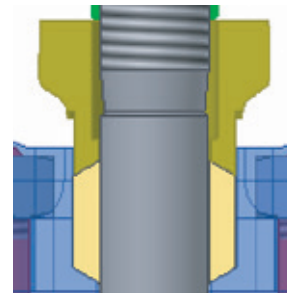
Resin, Latex, Polymers,
Slurry, Fluid with particles,
Liquid sulphur, Phosgene gas,
High velocity steam,
Cryogenic, High temperature,
Vacuum

Characteristics

Sizes (mm)	: DN 08 to DN 150
Temperature (°C)	: -50 to +250
Pressure (bar)	: PN 100 to PN 20
Connections	
DN 08 to DN 25	: BSPP / NPT / BW (union ring) / SW
DN 10 to DN 150	: Flanged PN 16-40 / Class 150 / Class 300



Packing detail



Seat / wedge detail



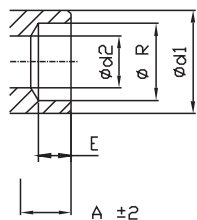
Parts list

Item	Qty	Description	Material
1	1	Body	Stainless steel 1.4409
2	2	Gate	Stainless steel 1.4404
3	2	Seat	Stainless steel 1.4404
4	2	Seat gasket	PTFE
5	1	Stem	Stainless steel 1.4404
6	2	Flange	Carbon steel A 42
7	1	Body gasket	PTFE
8	1	Bonnet	Stainless steel 1.4409
9	4	Gland stud	A4-70
10	1	Packing	PTFE
11	1	Gland packing	Stainless steel 1.4404
12	2	Gland stud	A2-70
13	2	Bolting	A2-70
14	4	Bolting	A2-70
15	2	Friction washer	CELORON
16	1	Nut	Stainless steel 1.4404 (SULFINUZE)
17	1	Handwheel nut	Stainless steel 1.4404
18	1	Handwheel	Cast Iron

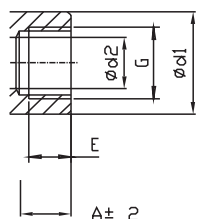
Options

- Stellite gr.12 seats
- Stellite gr.6 gates
- Graphite body seal and packing
- Stainless steel flanges
- Pneumatic/electric actuator
- Limit switches
- Locking device

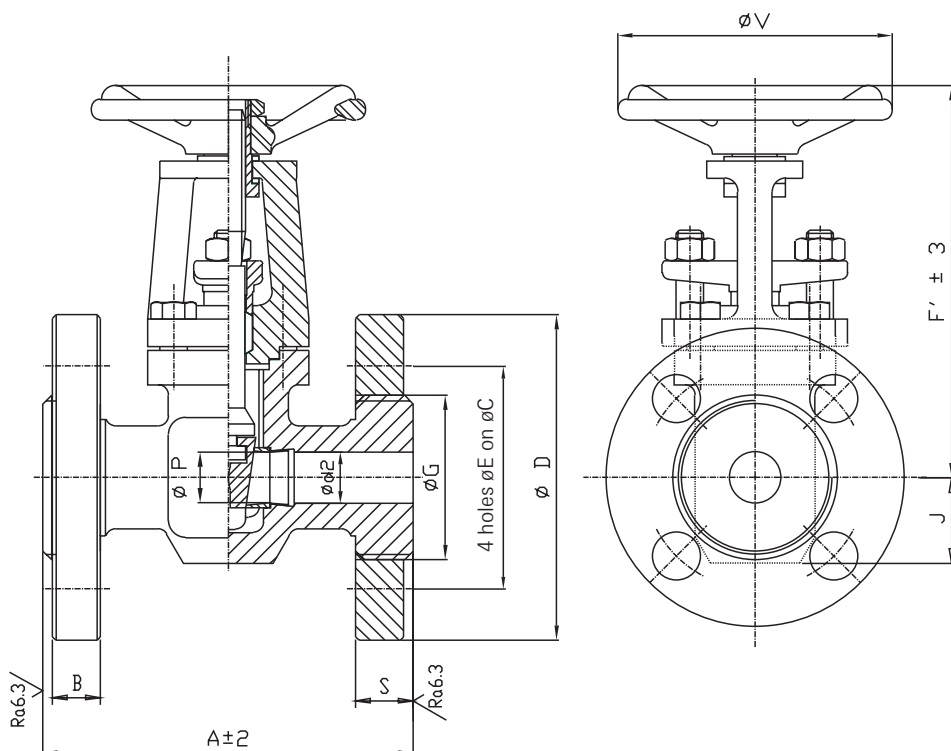
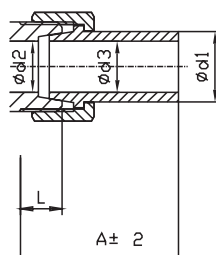
SW ends



BSPP ends



BW – Union ring ends



Dimensions - Flanged ends

DN	P	d2	J	F'	V	PN 40						Class 150						Class 300						Mass (Kg)	
						A	B	S	E	C	D	A	B	S	E	C	D	A	B	S	E	C	D		
08	9.5	10.7	22.5	115	80																				
10	9.5	10.7	22.5	115	80	108	14	18	16	60	90														2.4
12	9.5	10.7	22.5	115	80																				
15	13.8	15	22.5	115	80	108	14	18	16	65	95	108	11.1	18	15,8	60,3	89	140	14,3	18	15,8	66,7	95		2.5
20	19.5	20.5	30	140	100	117.5	16	20	18	75	105	117.5	12.7	20	15,8	69,8	99	152	15,9	20	19	82,6	117		3.8
25	19.5	25	30	140	100	127	16	22	18	85	115	127	14.3	22	15,8	79,4	108	165	17,5	22	19	88,9	124		4.6

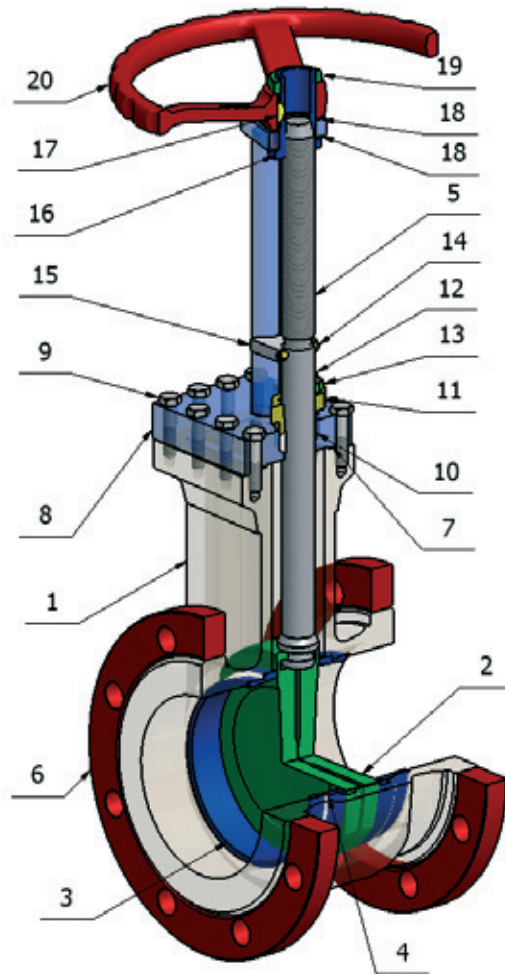
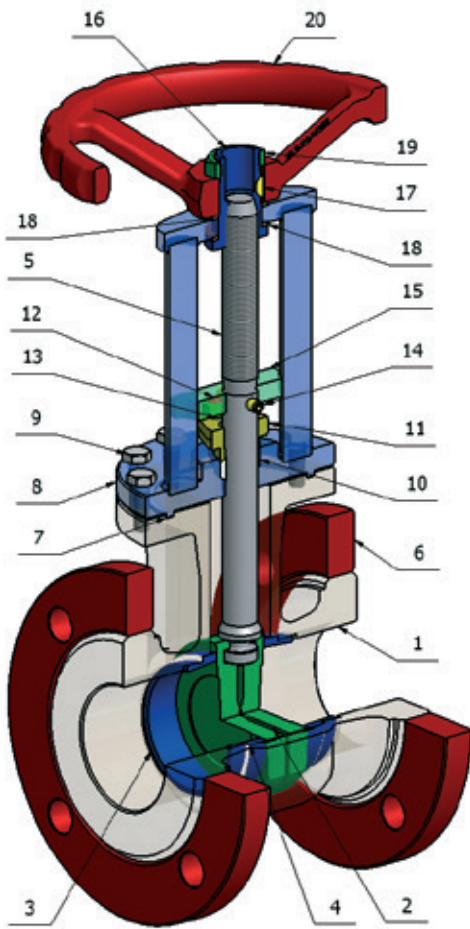
Note: Flange finish Ra 6.

Dimensions - Welded ends and Screwed ends

DN	A	Socket or screwed							Union ring (BW)				
		SW		BSPP		NPT		Weight (Kg)	A	L	d3xd1	Weight (Kg)	
d1	E	R**	E	G	E	G							
8	77	30	9.5	14	13	1/4"	10.2	1/4"	1.3	123	77	8x13	1.2
12	77	30	9.5	17.8	13	3/8"	10.4	3/8"	1.3	145	77	15x20.6	1.3
15	77	30	9.5	22.4	15	1/2"	13.6	1/2"	1.4	145	77	15x20.6	1.4
20	95	40	11	27.7	22	3/4"	13.9	3/4"	1.7	165	95	20x26	1.8
25	95*	40*	12.7	34.5	22	1"	17.4	1"	1.8	141	95	26x33	1

* For SW d1=42 and A=117.5

** Allowance +0.8/0



Parts list

Item	Qty	Description	Material
1	1	Body	Stainless steel 1.4409
2	2	Gate	Stainless steel 1.4404
3	2	Seat	Stainless steel 1.4404
4	2	Seat gasket	PTFE
5	1	Stem	Stainless steel 1.4404
6	2	Flange	Carbon steel A 42
7	1	Body gasket	PTFE
8	1	Bonnet	Stainless steel 1.4404
9	*	Screw H M8x25	A4-70
10	1	Packing	PTFE
11	1	Gland packing	Stainless steel 1.4404
12	2	Gland stud	A2-70
13	2	Bolting H M8	A2-70
14	1	Pin ISO8752 - 6x30	Stainless steel 1.4310
15	1	Stem guide	Stainless steel 1.4404
16	1	Nut	Stainless steel 1.4404 (SULFINUZE)
17	1	Disc Key 5x19	Stainless steel XC 42
18	2	Friction washer	CELORON
19	1	Handwheel nut	Stainless steel 1.4404
20	1	Handwheel	Stainless steel AISI 304

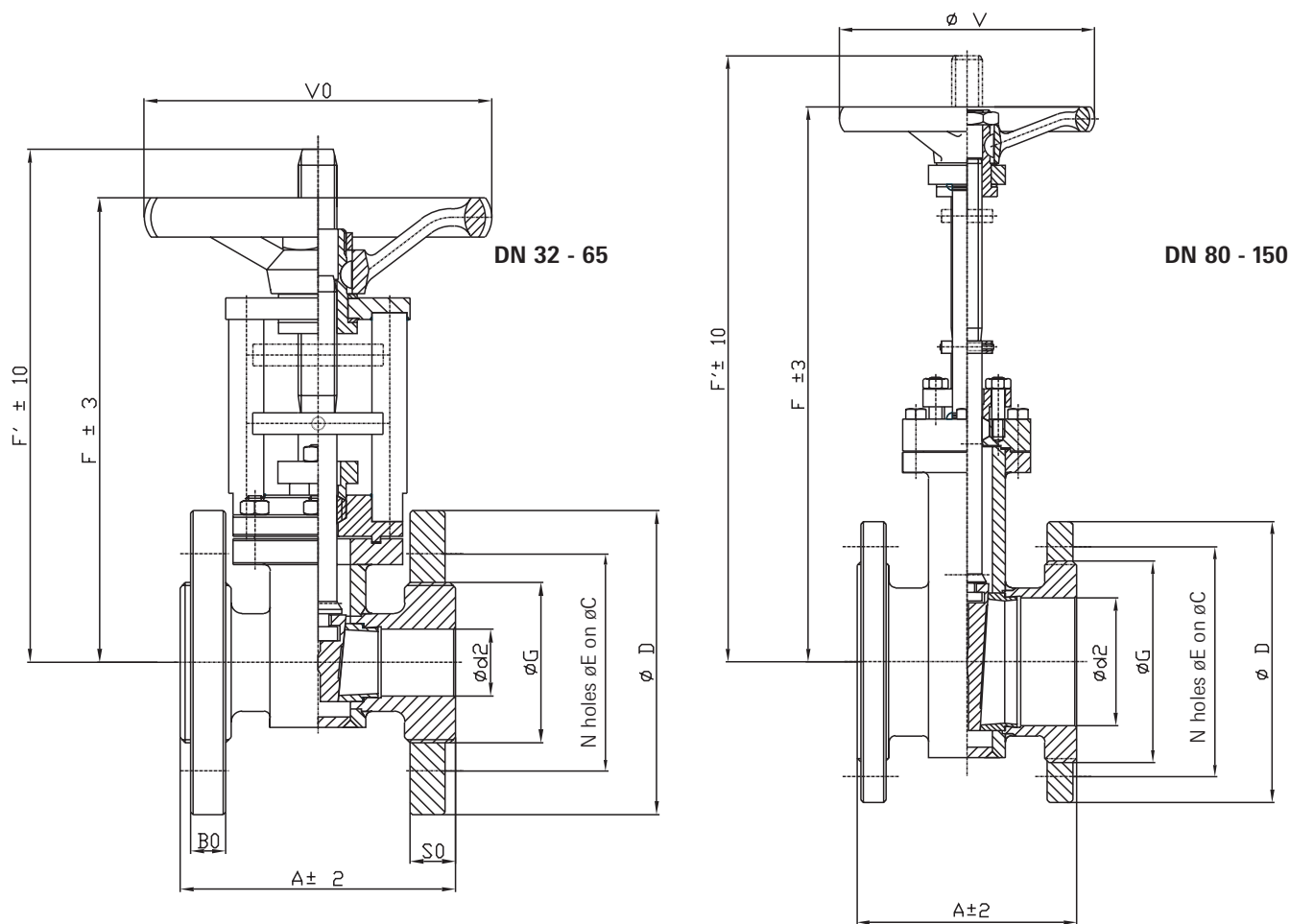
* Qty's according to valve diameter

Options

- Stellite® gr.12 seats
- Stellite® gr.6 gates
- Graphite body seal and packing
- Stainless steel flanges
- Pneumatic/electric actuator
- Limit switches
- Locking device

V501 Gate Valve

Dimensions DN 32/150

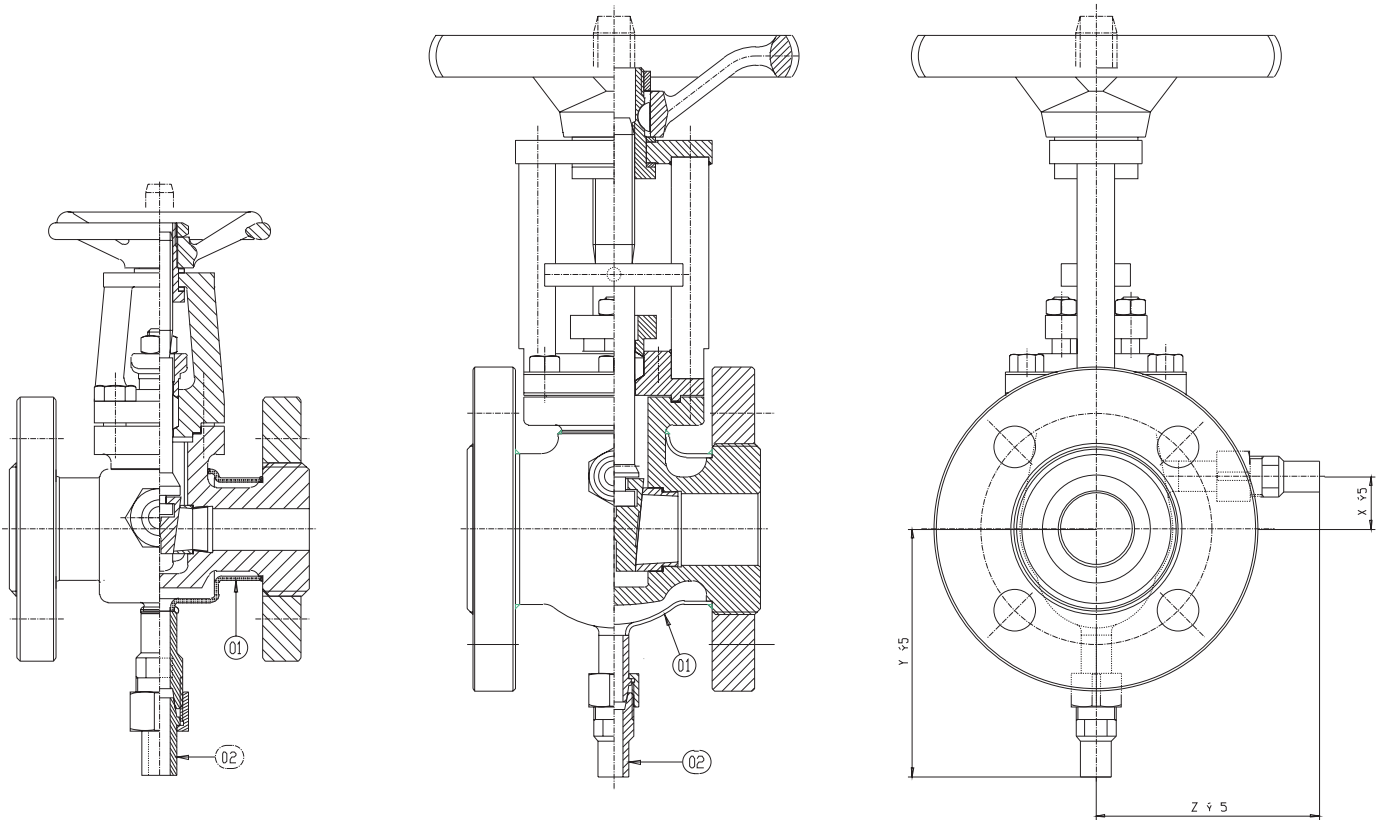


Dimensions

DN	F	d2	N	F'	V	A	B	S	E	C	D	Weight	
												(Kg)	PN
Flanged ends - PN 16 / PN 40													
32	215	31	4	211	160	127	16	21	18	100	140	8	40
40	247	41	4	262	160	136	16	20,5	18	110	150	9,5	40
50	275	51	4	293	160	142	18	21	20	125	165	11,9	40
65	320	65	4	347	200	154	18	21	18	145	185	16,5	16
80	380	80	8	423	200	160	20	21,5	18	160	200	23	16
100	435	100	8	496	300	172	20	23,5	18	180	220	29	16
125	523	125	8	615	300	186	22	23	18	210	250	46	16
150	585	150	8	695	300	200	22	23,5	22	240	285	57	16
Flanged ends - Class 150													
32	215	31	4	211	160					On request			8
40	247	41	4	262	160	165	17,5	22	15,8	98,4	127	9,5	
50	275	51	4	293	160	178	19,1	22	19	120,6	152	11,9	
65	320	65	4	347	200					On request			16,5
80	380	80	8	423	200	203	23,9	23	19	152,4	190	23	
100	435	100	8	496	300	229	23,9	25	19	190,5	229	29	
125	523	125	8	615	300					On request			46
150	585	150	8	695	300	267	25,4	27	22,2	241,3	279	57	
Flanged ends - Class 300													
32	215	31	4	211	160					On request			8
40	247	41	4	262	160	190	20,6	22	22	114,3	156	9,5	
50	275	51	4	293	160	216	22,2	30,5	19	127	165	11,9	
65	320	65	4	347	200					On request			16,5
80	380	80	8	423	200	283	28,6	34	22	168,3	210	23	
100	435	100	8	496	300	305	31,8	38	22	200	254	29	
125	523	125	8	615	300					On request			46
150	585	150	8	695	300	403	36,5	38,5	22	270	318	57	

V501 Gate Valve

Dimensions with heating jacket



Parts list

Item	Qty	Description	Material
1	1	Heating jacket	Stainless steel 1.4404
2	2	Union ring	Stainless steel 1.4404

Dimensions

DN	15	20	25	32	40	50	65	80	100	125	150
X	2,5	3,5	3,5	22	33	45	57	75	85	139	149
Y	89	92	92	101	107	111	126	150	168	179	200
Z	86	88	88	85	99	101	119	142	158	170	183
BW end	08	08	08	08	08	08	15	15	15	15	15

Pressure ratings (bar)

DN	15	20	25	32	40	50	65	80	100	125	150
Service					16					10	
Test					24					16	

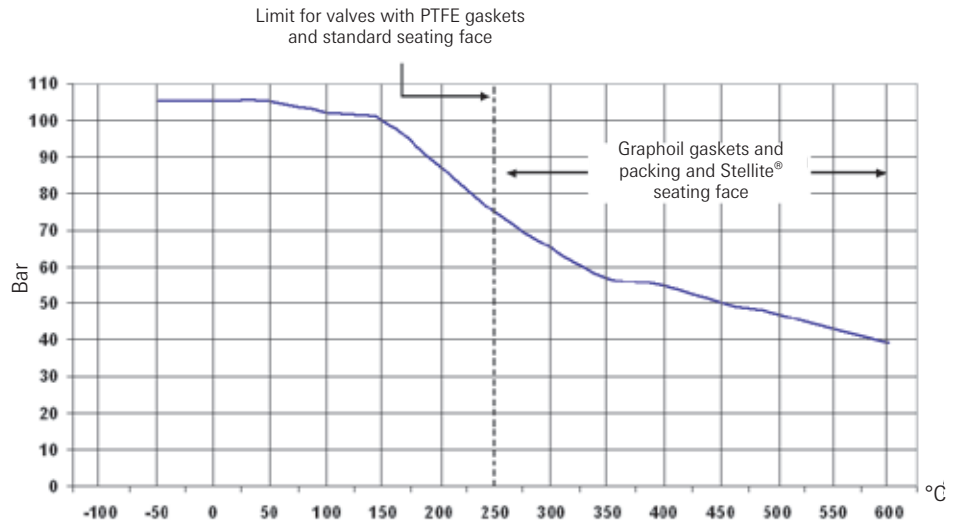
Options

- Heating jacket with flange connection
- Reinforced heating jacket for higher pressure
- Oversized flanges

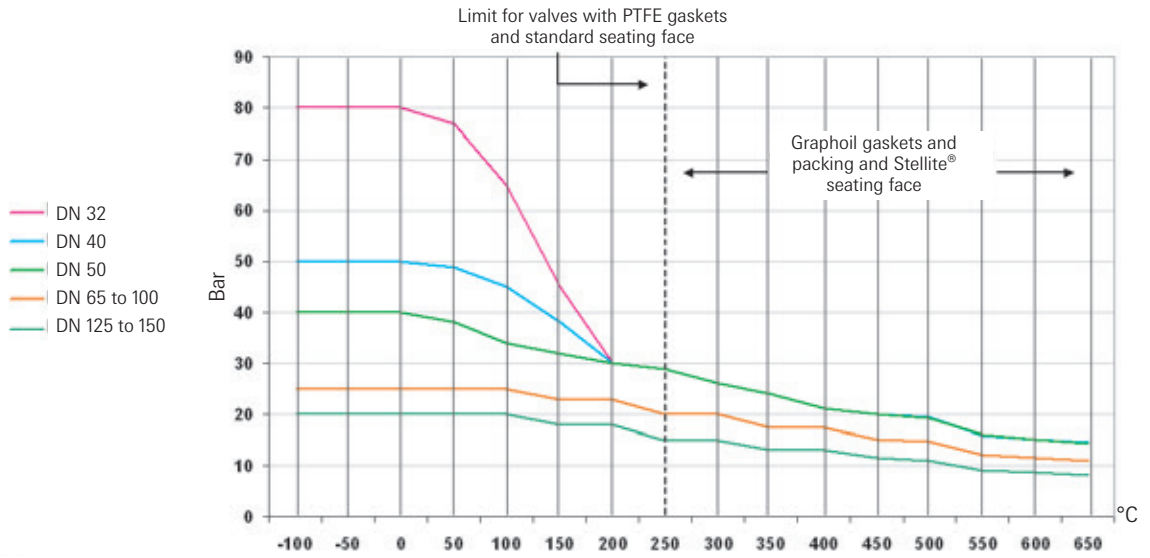
Notes

- For flanged valves, the maximum operating pressure has to be limited according to the lowest value between body rating and flange rating
- For BW valves, pressure has to be limited according to union-ring PN:
 - PN 63 for DN 08
 - PN 40 for DN 12 and DN 15
 - PN 25 for DN 20 and DN 25

Pressure/temperature ratings DN 08 - DN 25



Pressure/temperature ratings DN 32 - DN 150



C_V / K_V

DN	08	10	15	20	25	32	40	50	65	80	100	125	150
C_V	4	5	8	32	35	65	155	230	320	625	1085	1765	2520
K_V	3.5	4.3	6.9	27	30	56	134	198	276	539	935	1521	2172

Testing

- All valves are tested according to NF EN 12266-1 and ISO 5208
- Hydrostatic shell test: 1.5 MOP – No visible leakage
- Pneumatic test: 6 bar – No visible leakage