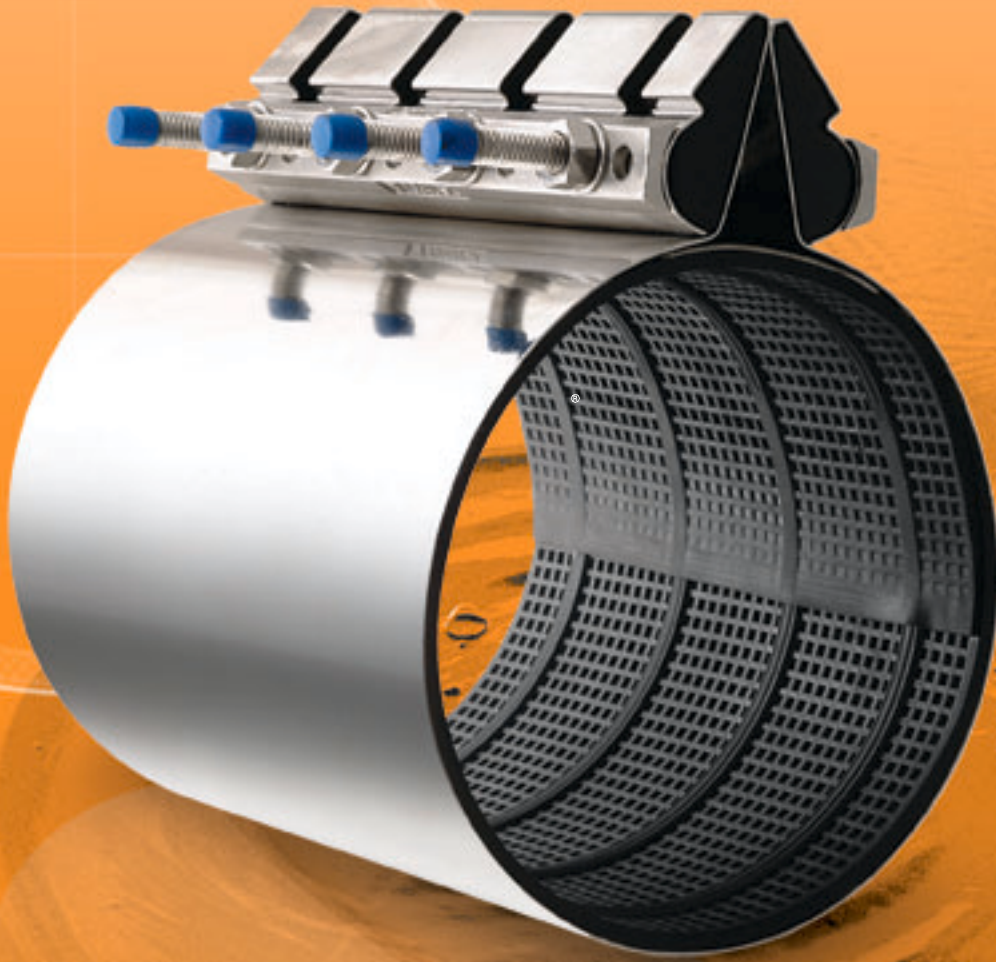


EZ-MAX™

Repair Clamp



Krausz®



EZ-MAX™

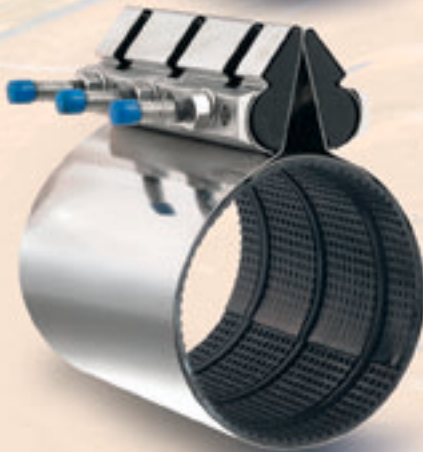


...The Proven Time-Savers

- * For Water and Sewerage Applications, above and below ground*
- * Significant Inventory Reduction*
- * 100% More Range than Standard Repair Clamps (Accommodates a Pipe Range of 20 mm)*
- * Superior Combination Mat-type Gasket with Pressure Ring Sealing Capabilities*
- * No Glue Gasket Attachment*
- * Easy Fitting... either two bolts (150 mm wide), three bolts (225 mm wide) four bolts (300 mm wide) or five bolts (375 mm wide)*
- * Bolts require no removal*
- * Unique Patented Lug Assembly with Polycarbonate High Impact Lug Retainer*
- * Lightweight... can be handled by one person*
- * Available in diameters from 40 to 300 mm for all types of pipe ranging from steel to Asbestos Cement*
- * Wrap around type installation (no disassembly required)*
- * Standard 304 Stainless Steel no weld design*
- * 10 ATM Working Pressure*



EZ-Max 300 mm wide



EZ-Max 225 mm wide

Pipe Repair Clamps

The EZ-MAX repair clamp line is suited to a wide range of pipe repair conditions, and each size will replace between two to three standard range clamp designs in your inventory.

Each repair clamp will join or repair pipes with a range of over 20 mm. The EZ-MAX repair clamp is available in widths ranging from 150 mm, 225 mm, 300 mm and 375 mm wide.

The EZ-MAX offers an efficient range adjustable band with a deep waffled mat-type gasket with pressure assisted sealing rings, and Registered EPDM Compounded gaskets. The gasket is provided with a spanner plate that is mechanically attached to the band to provide completely uniform gasket pressure around the pipe. This method eliminates the need to mold the spanner plate in the gasket, while allowing the EZ-MAX to provide a faster seal during installation.

The EZ-MAX wrap-around clamp requires no disassembly. The installer simply wraps the clamp around the pipe, slides it over the break, applies the quick-set lug system and tightens either two, three four or five bolts to the required torque. All work is performed from the topside of the low profile clamp, eliminating the need for extra excavation and under-dig for the wrench.

The EZ-MAX can be easily handled by one person due to the durable nature of its superior lightweight materials of construction. The repair clamp is equipped with a corrosion resistant type 304 stainless steel pipe-reinforcing band, and comes with 304 stainless steel spanner, nuts and bolts.

EZ-MAX Series Specifications

Materials:

304 Stainless Steel Band and Lug Assembly with High Impact Polycarbonate Lug Retainer

Spanner Plate:

304 Stainless Steel, integral with the band assembly

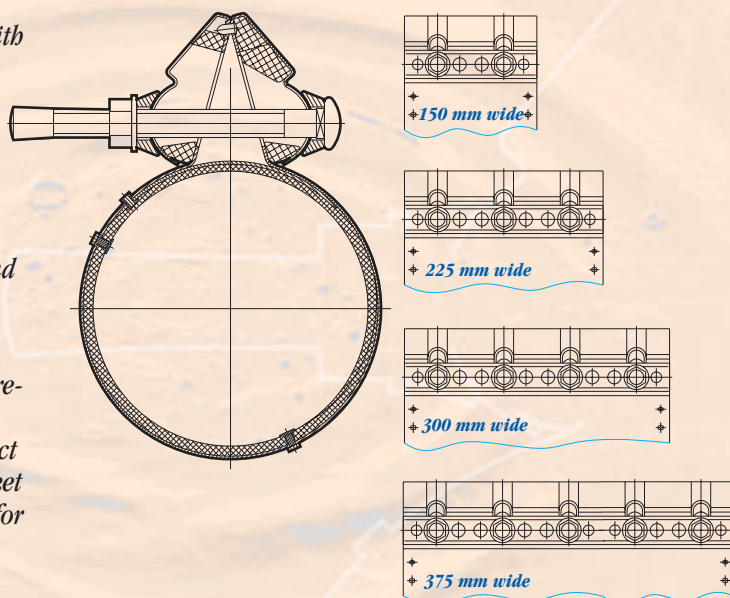
Bolts and Nuts:

Type 304 Stainless Steel with coated nuts and anti-seize compound

Gasket:

No-Glue Waffled Mat-type Gasket with pressure-assisted sealing rings

EPDM gasket compound approved for contact with drinking water and sewerage. The gasket is molded to include a lap type tapered end for easy installation and wrap around the pipe.



EZ-MAX™

Repair Clamp

EZ MAX Clamp - Type M

Available in widths 150mm/225mm/300mm

PART Number	Nominal Diameter	RANGE	Working pressure
		mm	bar
xxx-66-0047-10	40	47-55	10
xxx-66-0059-10	50	59-67	10
xxx-66-0072-10	65	72-80	10

EZ MAX Clamp - Type L

Available in widths 225mm/300mm/375mm

PART Number	Nominal Diameter	RANGE	Working pressure
		mm	bar
xxx-66-0087-10w	80	87-108	10
xxx-66-0108-10w	100	108-128	10
xxx-66-0113-10w	100	113-134	10
xxx-66-0122-10w	125	122-142	10
xxx-66-0139-10w	125	139-160	10
xxx-66-0157-10w	150	157-178	10
xxx-66-0167-10w	150	167-187	10
xxx-66-0174-10w	150	174-194	10
xxx-66-0198-10w	200	198-218	10
xxx-66-0218-10w	200	218-238	10
xxx-66-0228-10w	200	228-248	10
xxx-66-0272-10w	250	272-292	10
xxx-66-0288-10w	250	288-308	10
xxx-66-0313-10w	300	313-333	10
xxx-66-0323-10w	300	323-343	10
xxx-66-0345-10w	300	345-365	10

Note catalog Number:

Width 150= xxx 201

Width 225= xxx 222

Width 300= xxx 223

Width 375= xxx 224

Warning: When pipe pull-out can occur, the pipe ends must be anchored. Failure to restrain the pipe ends may result in loss of line content and cause property damage, injury or death.

Warning: This product should not be used on natural gas or other types of gas piping. Use of this product on flammable gas may cause property damage injury or death.

*EZ-MAX is a patented product developed by Krausz Industries Ltd. The EZ-MAX Trademark is the property of Krauzs Industries Ltd.